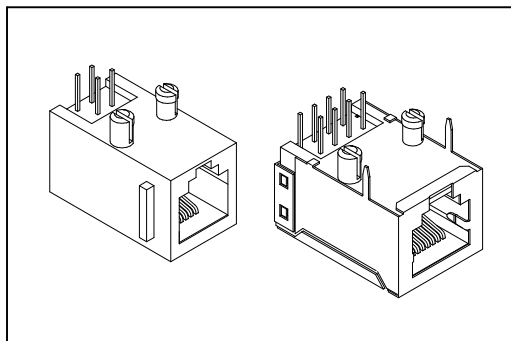


# 8949-D Series

## Modular Jack Side Entry Dip Type



### Material:

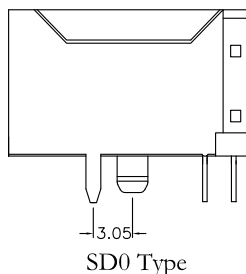
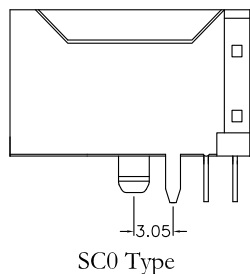
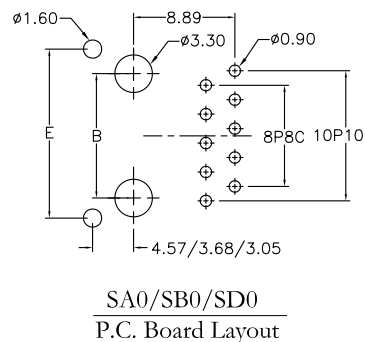
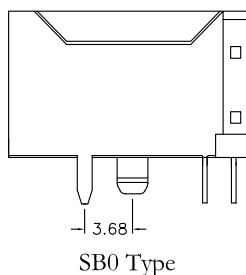
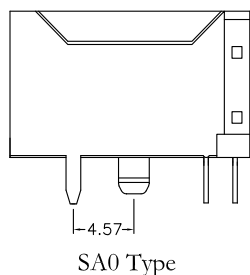
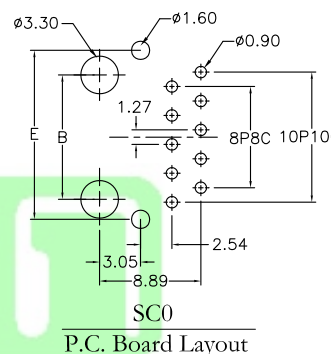
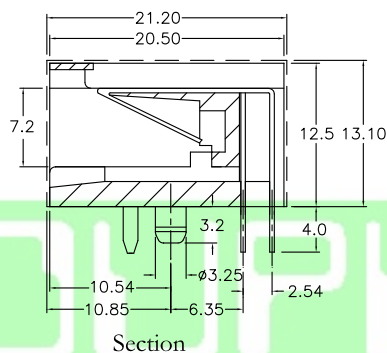
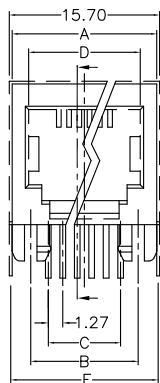
Housing: Thermoplastic Polyester Glass Filled UL94V-0.  
 Contacts: Copper Alloy.  
 Shield: Copper Alloy, Nickel Plated.  
 Plating: Selective Gold plated on contact area over Nickel.

### Electrical Characteristics:

Current Rating: 1.5 A.  
 Insulator Resistance: 1000MΩ min.  
 Contact Resistance: 30mΩ max.  
 Operating Temperature: -40°C~+85°C.

### Features:

- \* 50μ"gold meets FCC 68 requirements.
- \* Available in 4, 6, 8, 10 position housing.
- \* Industry compatible profiles and foot prints.
- \* Available in selective loading.
- \* Contact pre-loaded and self aligned.



No. of Position	No. of Contacts	Dimensions				
		A	B	C	D	E
4	4	11.20	7.62	3.81	7.95	
6	2	13.20	10.16	1.27	10.00	
6	4	13.20	10.16	3.81	10.00	
6	6	13.20	10.16	6.35	10.00	
8	8	15.20	11.43	8.89	12.00	15.30
10	10	15.20	11.43	11.43	12.00	15.30

## Ordering information

<b>8949-D</b>	<b>10</b>	<b>10</b>	<b>-06</b>	<b>SB0</b>	<b>B</b>	<b>N</b>	<b>A</b>
Series	10: 10 Position 8: 8 Position 6: 6 Position 4: 4 Position	10: 10 Contacts 8: 8 Contacts 6: 6 Contacts 4: 4 Contacts 2: 2 Contacts	06: 06μ" Gold Plated 15: 15μ" Gold Plated 30: 30μ" Gold Plated 50: 50μ" Gold Plated	* SA0: SA0 Type * SB0: SB0 Type * SC0: SC0 Type * SD0: SD0 Type Blank: Non-Shield	B: Black	**N: W/O Flange **F: With Flange	A: Tray Package

\* Only for 8 & 10Position Shielding Type.

\*\* Only for Non-shield.

Information including designs, specifications and components may be changed or updated without notice.