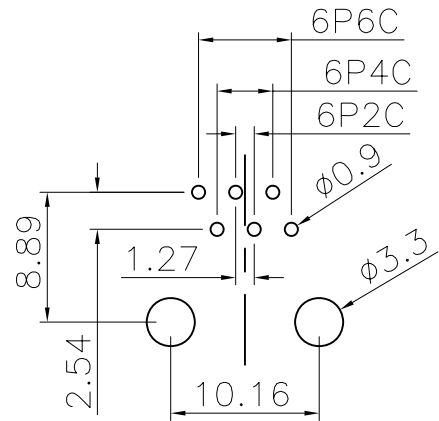
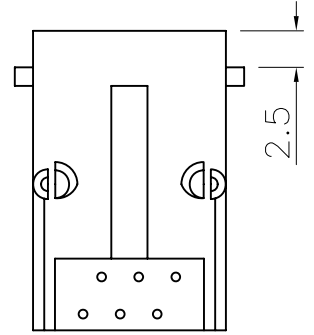
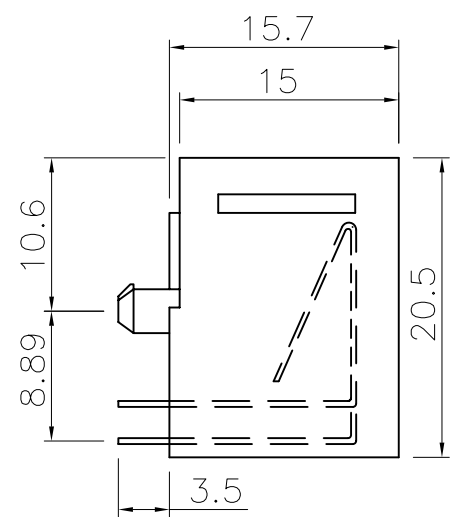
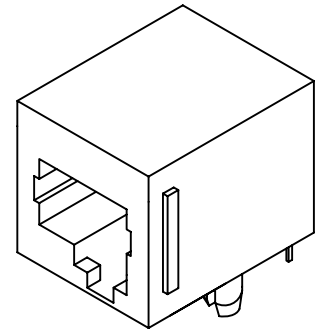
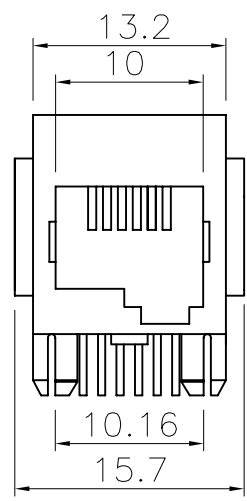


REV.	SPECIFICATION	ECN NO.	APPD.
A1			



P.C.Board Layout

8949-D2 6 6 /50 B F D A

Series ————
 6: 6 Position ————
 6: 6 Contacts ————
 50: 50 μ " Gold Plated ————

————— A: Tray Package
 ————— D: Offset Latch
 ————— F: With Flange
 ————— B: Black

Material:

Housing: 30% Glass filled PBT UL94V-0.

Contacts: Phosphor Bronze.

Electrical Characteristics:

Current Rating: 1.5 AMP.

Insulator Resistance: 1000M Ω min. at DC 500V.

Contact Resistance: 30m Ω max. at DC 100mA.

Operating Temperature: -40°C ~ +80°C.

***RoHS Compliant**

Tolerances	Drawn No.	8949D02128	Title:	
x = ± 0.5	Projection		8949-D2 Series	
.x = ± 0.25	Unit	mm	Scale	1:1
.xx = ± 0.15	Drawn By	FHY04/21'09	Modular Jack	

D 773

OUPIIN			
OUPIIN ELECTRONIC(KUNSHAN) CO., LTD.			
P/N: 8949-D266/50BFDA			
SHEET	1/1	Ver.No.	A1