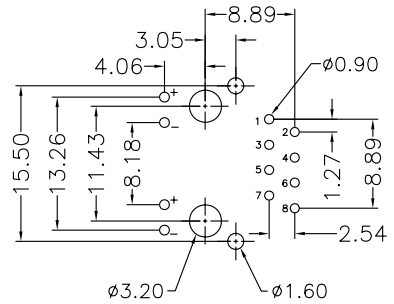
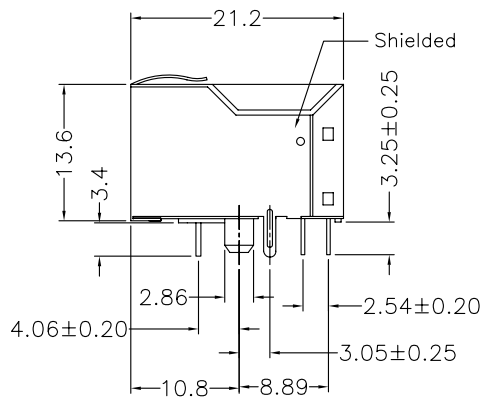
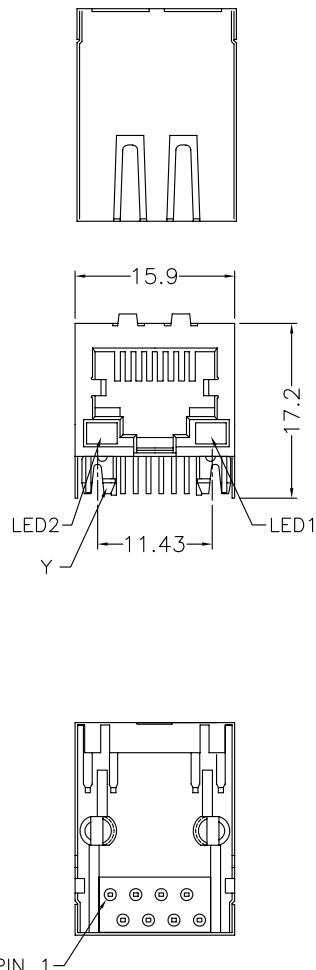


REV.	SPECIFICATION	ECN NO.	APPD.



P.C. Board Layout

Material:

Housing: Thermoplastic Polyester Glass Filled UL94V-0.
Contacts: Copper Alloy.
Shield: Copper Alloy, Nickel plated.

Electrical Characteristics:

Current Rating: 1.5 AMP.
Insulator Resistance: 1000MΩ min. at DC 500V.
Contact Resistance: 30mΩ max. at DC 100mA.
Operating Temperature: -40°C~+85°C.

***RoHS Compliant**

8949-D 8 8 /15 SC1 A B A /A011
 Series 8: 8 position 8: 8 Contacts 15: 15μ" Gold Plated SC1: SC1 Type LED1: Green B: Black A: Tray Package Internal Code
 LED2: Yellow

Tolerances	Dwg. No.	8949D02147	Title:	OUPIN OUPIN ELECTRONIC(KUNSHAN) CO., LTD. P/N: 8949-D88/15SC1ABA/A011
x = ±0.50	Projection		8949-D Series	
.x = ±0.25	Unit	mm	Modular Jack With LED	
.xx = ±0.15	Scale	1:1		
	Drawn By	ZJJ 10/15'12	⑤ 563	SHEET
				A1
				Ver.No.
				A2