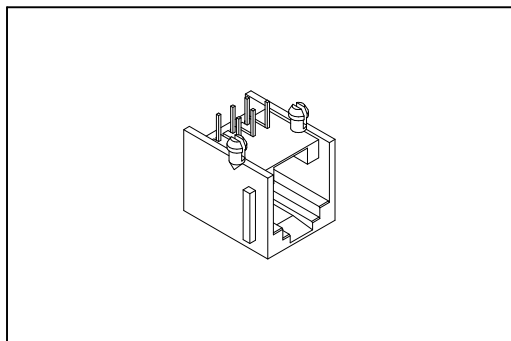


# 8949-F Series

## Modular Jack Side Entry Dip Type



### Material:

Housing: Thermoplastic Polyester Glass Filled UL94V-0.

Contacts: Copper Alloy.

Plating: Gold plated on contact area over Nickel.

### Electrical Characteristics:

Current Rating: 1.5 A.

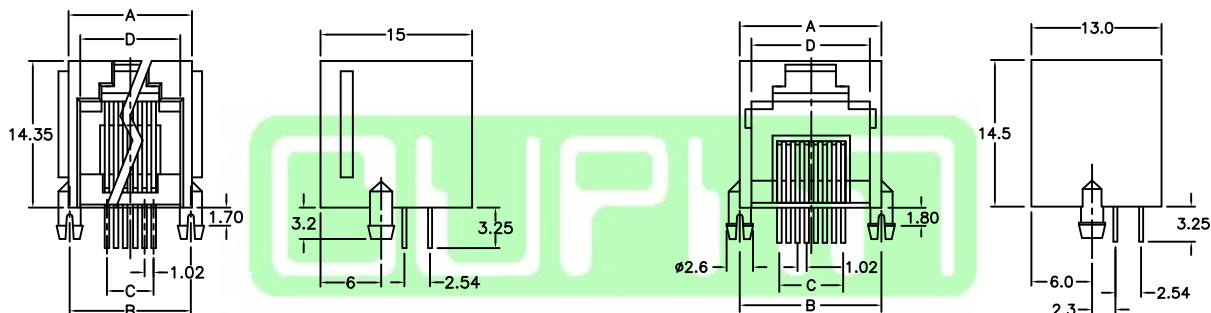
Insulator Resistance: 1000MΩ min.

Contact Resistance: 30mΩ max.

Operating Temperature: -40°C~+85°C.

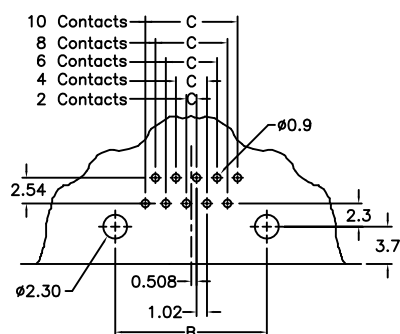
### Features:

- \* 50μ" gold meets FCC 68 requirements.
- \* Available in 4, 6, 8, 10 position housing.
- \* Industry compatible profiles and foot prints.
- \* Available in selective loading.
- \* Contact pre-loaded and self aligned.



F Type

F1 Type



P.C. Board Layout

F Type

No. of Position	No. of Contacts	Dimensions			
		A	B	C	D
4	4	12.20	12.00	3.06	7.80
6	2	12.20	12.00	1.02	9.80
6	4	12.20	12.00	3.06	9.80
6	6	12.20	12.00	5.10	9.80

F1 Type

No. of Position	No. of Contacts	Dimensions			
		A	B	C	D
4	4	10.00	10.00	3.06	7.80
6	2	12.20	12.00	1.02	9.80
6	4	12.20	12.00	3.06	9.80
6	6	12.20	12.00	5.10	9.80
8	8	15.00	15.00	7.14	12.20
10	10	15.00	15.00	9.18	12.20

## Ordering information

<b>8949-</b>	<b>F</b>	<b>4</b>	<b>4</b>	<b>-06</b>	<b>Y</b>	<b>F</b>	<b>A</b>
Series	F: F Type F1: F1 Type	4: 4 Position 6: 6 Position 8: 8 Position 10: 10 Position	2: 2 Contacts 4: 4 Contacts 6: 6 Contacts 8: 8 Contacts 10: 10 Contacts	06: 06μ" Gold Plated 15: 15μ" Gold Plated 30: 30μ" Gold Plated 50: 50μ" Gold Plated	Y: Grey B: Black	*F: With Flange N: W/O Flange	A: Tray Package

\* With flange only for F Type

Information including designs, specifications and components may be changed or updated without notice.

A194