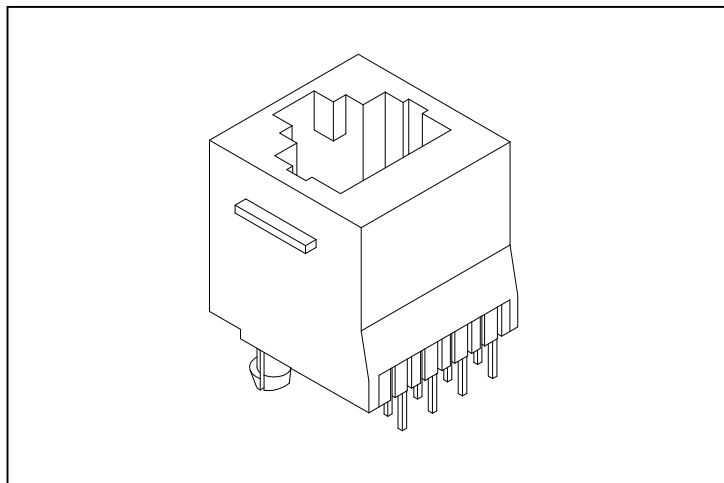


# 8949-H Series

## Modular Jack Top Entry Dip Type



### Material:

Housing: Thermoplastic Polyester Glass Filled UL94V-0.

Contacts: Copper Alloy.

Plating: Selective Gold plated on contact area over Nickel.

### Electrical Characteristics:

Current Rating: 1.5 A.

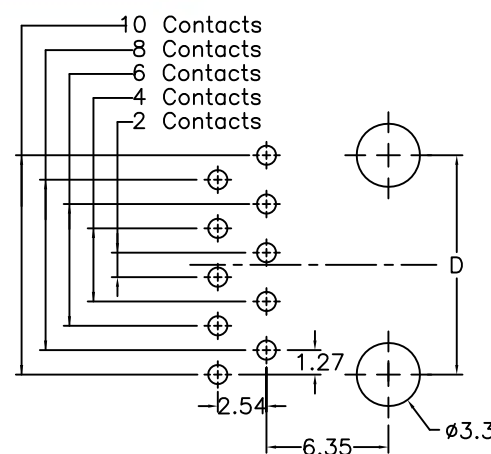
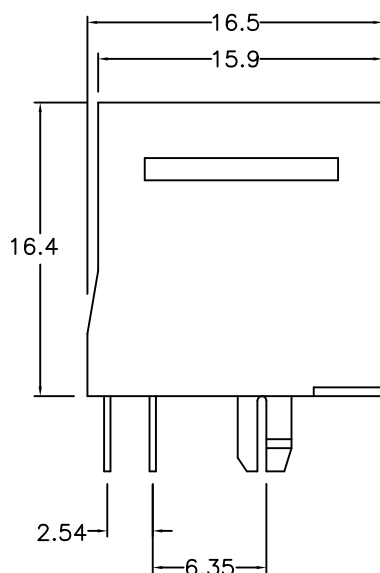
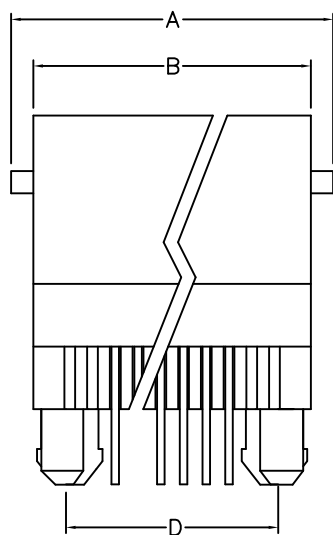
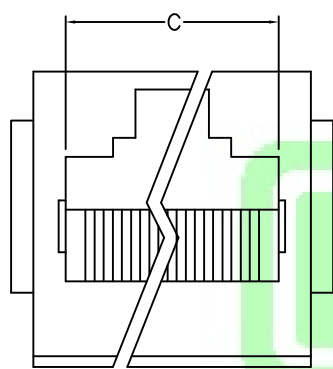
Insulator Resistance: 1000MΩ min.

Contact Resistance: 30mΩ max.

Operating Temperature: -40°C~+85°C.

### Features:

- \* 50μ"gold meets FCC 68 requirements.
- \* Available in 4, 6, 8, 10 position housing.
- \* Industry compatible profiles and foot prints.
- \* Available in selective loading.
- \* Contact pre-loaded and self aligned.



P.C. Board Layout

No. of Position	No. of Contacts	Dimensions			
		A	B	C	D
4	4	13.80	11.40	7.90	7.62
6	2	15.80	13.45	10.00	10.16
6	4	15.80	13.45	10.00	10.16
6	6	15.80	13.45	10.00	10.16
8	8	18.00	15.50	11.90	11.43
10	10	18.00	15.50	11.90	11.43

## Ordering information

8949-H

Series

10

10: 10 Position  
8: 8 Position  
6: 6 Position  
4: 4 Position

10

10: 10 Contacts  
8: 8 Contacts  
6: 6 Contacts  
4: 4 Contacts  
2: 2 Contacts

-06

06: 06μ" Gold Plated  
15: 15μ" Gold Plated  
30: 30μ" Gold Plated  
50: 50μ" Gold Plated

B

B: Black

F

F: With Flange  
N: W/O Flange

A

A: Tray Package

Information including designs, specifications and components may be changed or updated without notice.

A195