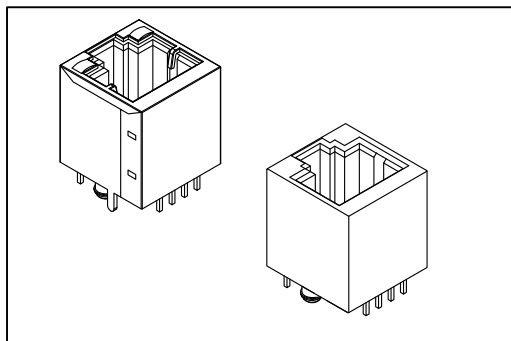


8949-H1 Series

Modular Jack Top Entry Dip Type With LED



Material:

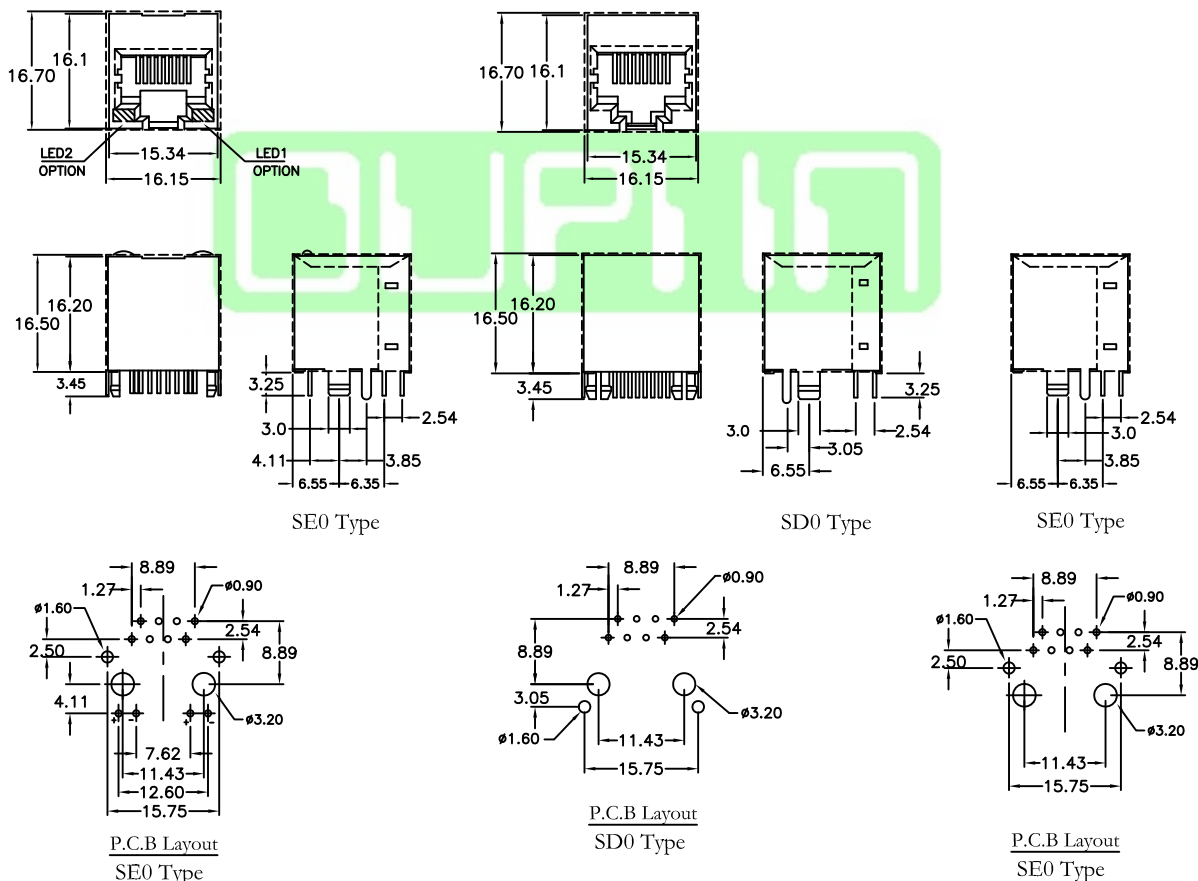
Housing :Thermoplastic Polyester Glass Filled UL94V-0.
 Contacts: Copper Alloy.
 Shield: Copper Alloy,Nickel Plated.
 Plating: Selective Gold plated on contact area over Nickel.

Electrical Characteristics:

Current Rating: 1.5 A.
 Insulator Resistance: 1000MΩ min.
 Contact Resistance: 30mΩ max.
 Operating Temperature: -40°C~+85°C.

Features:

- * PCB Mount Top Entry Type.
- * LED optional
- * Shield optional



Ordering information

8949-H1	8	8	-06
Series	Position	8: 8 Contacts 6: 6 Contacts 4: 4 Contacts 2: 2 Contacts	06: 06 μ" Gold Plated 15: 15 μ" Gold Plated 30: 30 μ" Gold Plated 50: 50 μ" Gold Plated

SD0
SD0: SD0 Type SE0: SE0 Type Blank: Non - Shield

A
A: LED1: Green, LED2: Yellow B: LED1: Green, LED2: Green C: LED1: Yellow, LED2: Green D: LED1: Yellow, LED2: Yellow E: LED1: G+Y, LED2: Green Blank: W/O LED

B	A
B: Black	A: Tray Package

- * Consult factory for other LED options.
- * With LED only for SE0 Type.
- * W/O LED may choose SE0 & SD0 Type.

Information including designs, specifications and components may be changed or updated without notice.