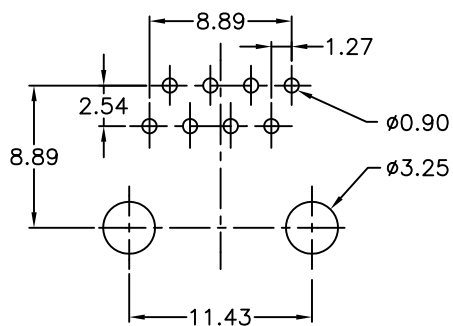
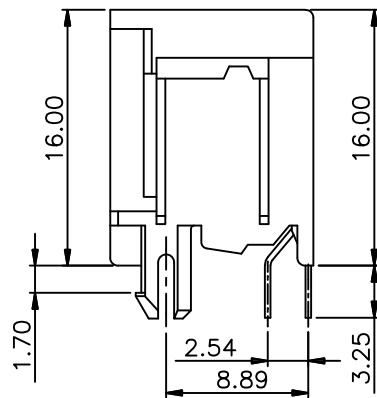
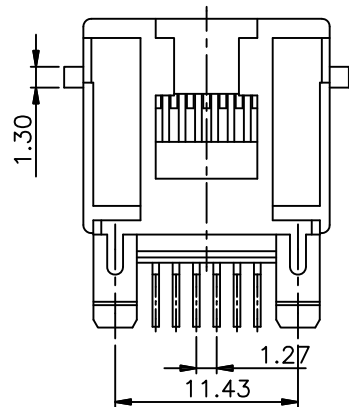
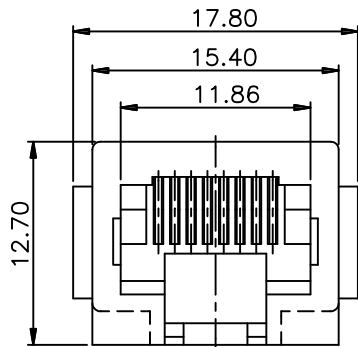


REV.	SPECIFICATION	ECN NO.	APPD.



P.C. Board Layout

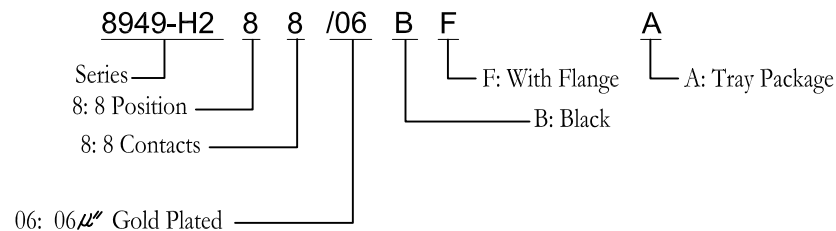
Material:


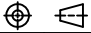
Housing: Thermoplastic Polyester Glass Filled UL94V-0
 Contacts: Copper Alloy.

Electrical Characteristics:

Current Rating: 1.5 AMP.
 Insulator Resistance: 1000M Ω min. at DC 500V.
 Contact Resistance: 30m Ω max. at DC 100mA.
 Operating Temperature: -40°C~+85°C.

***RoHS Compliant**



Tolerances	Drawn No.	8949D02148	Title:		 OUPIIN ELECTRONIC(KUNSHAN) CO., LTD. P/N: 8949-H288/06BFA					
x = ± 0.50	Projection		8949-H2 Series							
.x = ± 0.38	Unit	mm	Scale	1:1	Modular Jack		SHEET	1/1	Ver.No.	A1
.xx = ± 0.25	Drawn By	Lupa 11/09'10	①793							