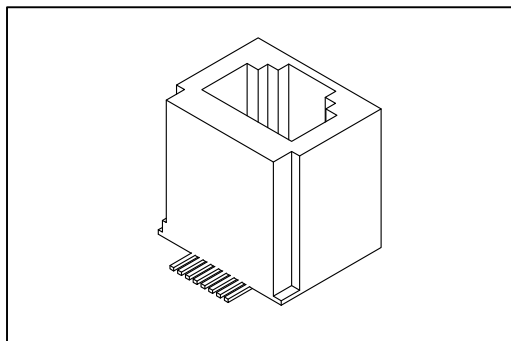


8949-H4D Series

Modular Jack Top Entry SMD Type



Material:

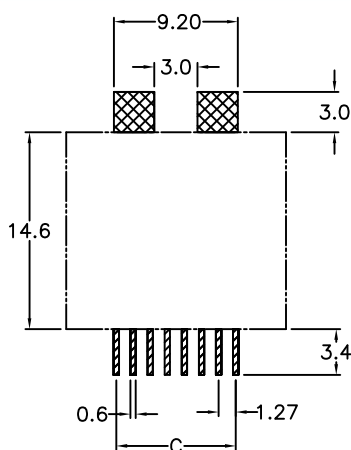
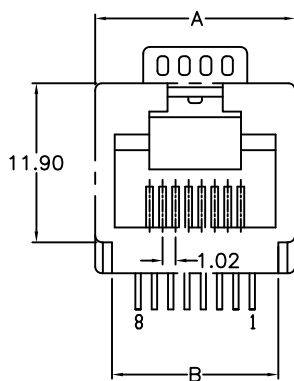
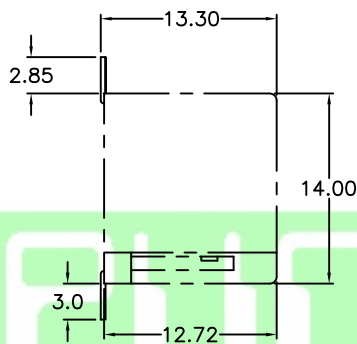
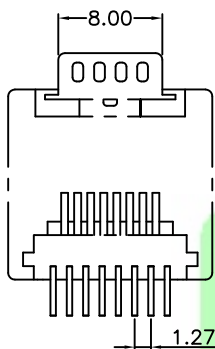
Housing : High Temperature Plastic UL94V-0.
 Contacts: Copper Alloy.
 Plating: Gold plated on contact area over Nickel.

Electrical Characteristics:

Current Rating: 1.5 A.
 Insulator Resistance: 1000MΩ min.
 Contact Resistance: 30mΩ max.
 Operating Temperature: -40°C~+85°C.

Features:

* PCB Mount Top Entry Type.



P.C. Board Layout

Position	Dimension		
	A	B	C
4	11.1	8.80	3.81
6	13.2	10.60	6.35
8	15.5	13.20	8.89

Ordering information

8949-H4D	8	8	-06	B	N	A
Series	8:Position	8: 8 Contacts	06: 06 μm Gold Plated	B: Black	N: W/O Flange	A: Tray Package
	6:Position	6: 6 Contacts	15: 15 μm Gold Plated			T: Tape & Reel Package
	4:Position	4: 4 Contacts	30: 30 μm Gold Plated			
		2: 2 Contacts	50: 50 μm Gold Plated			

Information including designs, specifications and components may be changed or updated without notice.

A197