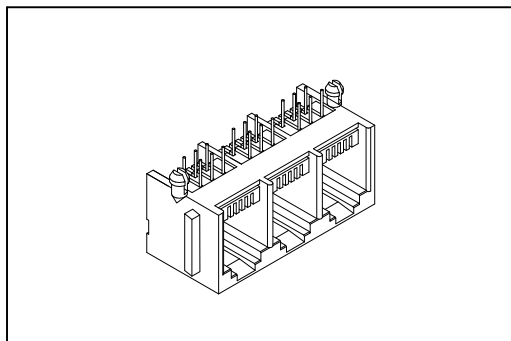


8949-I2 Series

Gang Jack Side Entry Dip Type



Material:

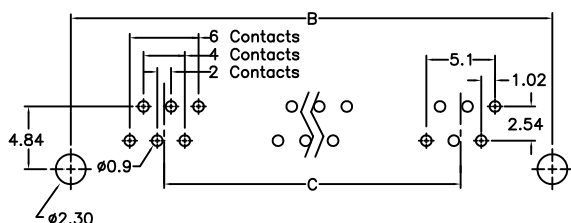
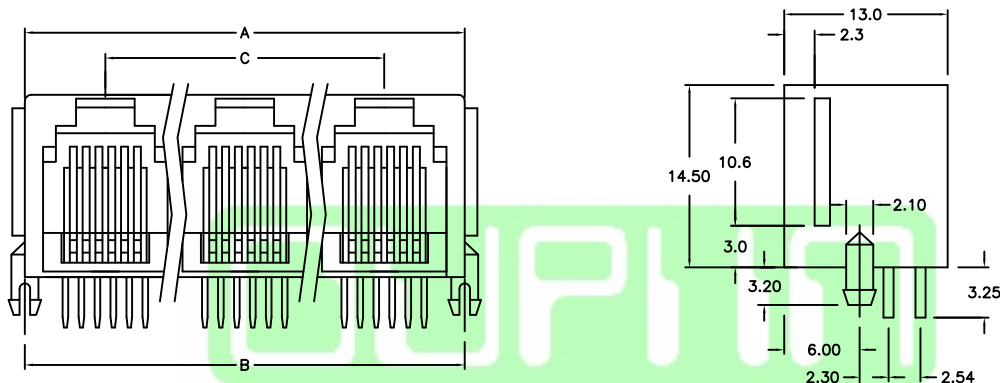
Housing: Thermoplastic Polyester Glass Filled UL94V-0.
 Contacts: Copper Alloy.
 Plating: Gold plated on contact area over Nickel.

Electrical Characteristics:

Current Rating: 1.5 A.
 Insulator Resistance: 1000MΩ min.
 Contact Resistance: 30mΩ max.
 Operating Temperature: -40°C~+85°C.

Features:

- * 50μg gold meets FCC 68 requirements.
- * Industry compatible profiles and foot prints.
- * Available in selective loading.
- * Contact pre-loaded and self aligned.
- * Choice of 2 ports through 12 ports.
- * Mini low profile.



P.C. Board Layout

Dimensions	No. of Port										
	2	3	4	5	6	7	8	9	10	11	12
A	23.90	35.55	47.20	58.85	70.50	82.15	93.80	105.45	117.10	128.75	140.40
B	23.60	35.25	46.90	58.55	70.20	81.85	93.50	105.15	116.80	128.45	140.10
C	11.65	23.30	34.95	46.60	58.25	69.90	81.55	93.20	104.85	116.50	128.15

Ordering information

8949-I2	<u>6</u>	<u>6</u>	<u>2</u>	<u>-06</u>	<u>P</u>	<u>Y</u>	<u>A</u>
Series	6: 6 Position	6: 6 Contacts 4: 4 Contacts 2: 2 Contacts	2: 2 Port (2 ~ 12 Port)	06: 06 μg Gold Plated 15: 15 μg Gold Plated 30: 30 μg Gold Plated 50: 50 μg Gold Plated	P: Plastic Peg	Y: Grey B: Black	A: Tray Package

Information including designs, specifications and components may be changed or updated without notice.

A199