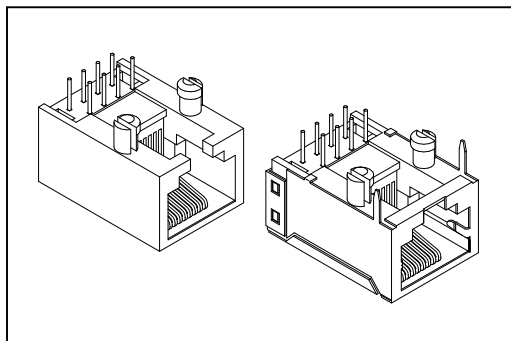


8949-K1 Series

Modular Jack Side Entry Dip Type



Material:

Housing: Thermoplastic Polyester Glass Filled UL94V-0.

Contacts: Copper Alloy.

Shield: Copper Alloy, Nickel Plated.

Plating: Selective Gold plated on contact area over Nickel.

Electrical Characteristics:

Current Rating: 1.5 A.

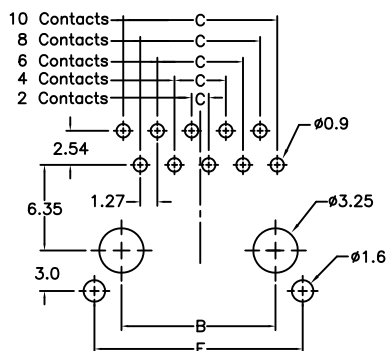
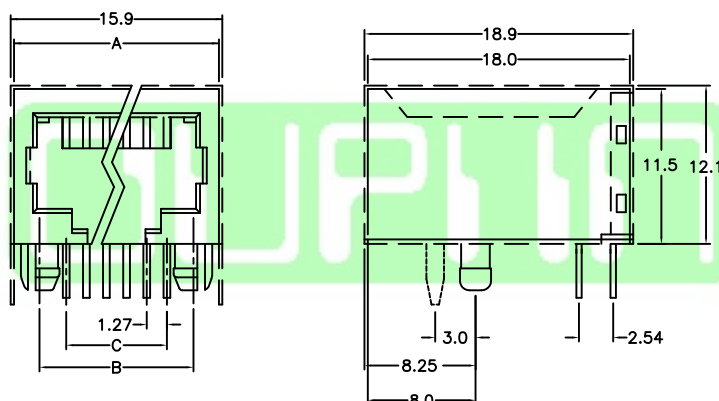
Insulator Resistance: 1000MΩ min.

Contact Resistance: 30mΩ max.

Operating Temperature: -40°C~+85°C.

Features:

- * 50μ"gold meets FCC 68 requirements.
- * Available in 4, 6, 8, 10 position housing.
- * Industry compatible profiles and foot prints.
- * Available in selective loading.
- * Contact pre-loaded and self aligned.



P.C. Board Layout

No. of Position	No. of Contacts	Dimensions			
		A	B	C	E
4	4	11.2	7.62	3.81	
6	2	13.2	10.16	1.27	
6	4	13.2	10.16	3.81	
6	6	13.2	10.16	6.35	
8	8	15.2	11.43	8.89	15.30
10	10	15.2	11.43	11.43	15.30

Ordering information

8949-K1	10	10	-06	S	B	A
Series	10: 10 Position 8: 8 Position 6: 6 Position 4: 4 Position	10: 10 Contacts 8: 8 Contacts 6: 6 Contacts 4: 4 Contacts 2: 2 Contacts	06: 6 μ" Gold Plated 15: 15 μ" Gold Plated 30: 30 μ" Gold Plated 50: 50 μ" Gold Plated	S: Shield (Only for 8, & 10 Position) Blank: Non-shield	B: Black	A: Tray Package

Information including designs, specifications and components may be changed or updated without notice.

A202