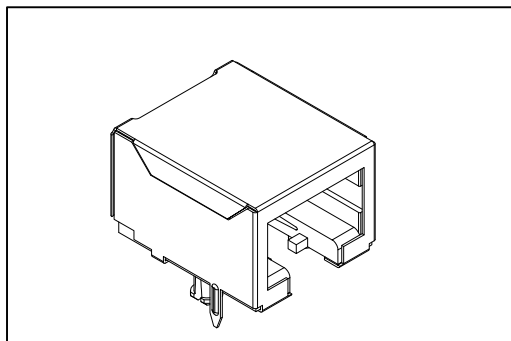


# 8949-K2D Series

## Modular Jack Side Entry SMD Type



### Material:

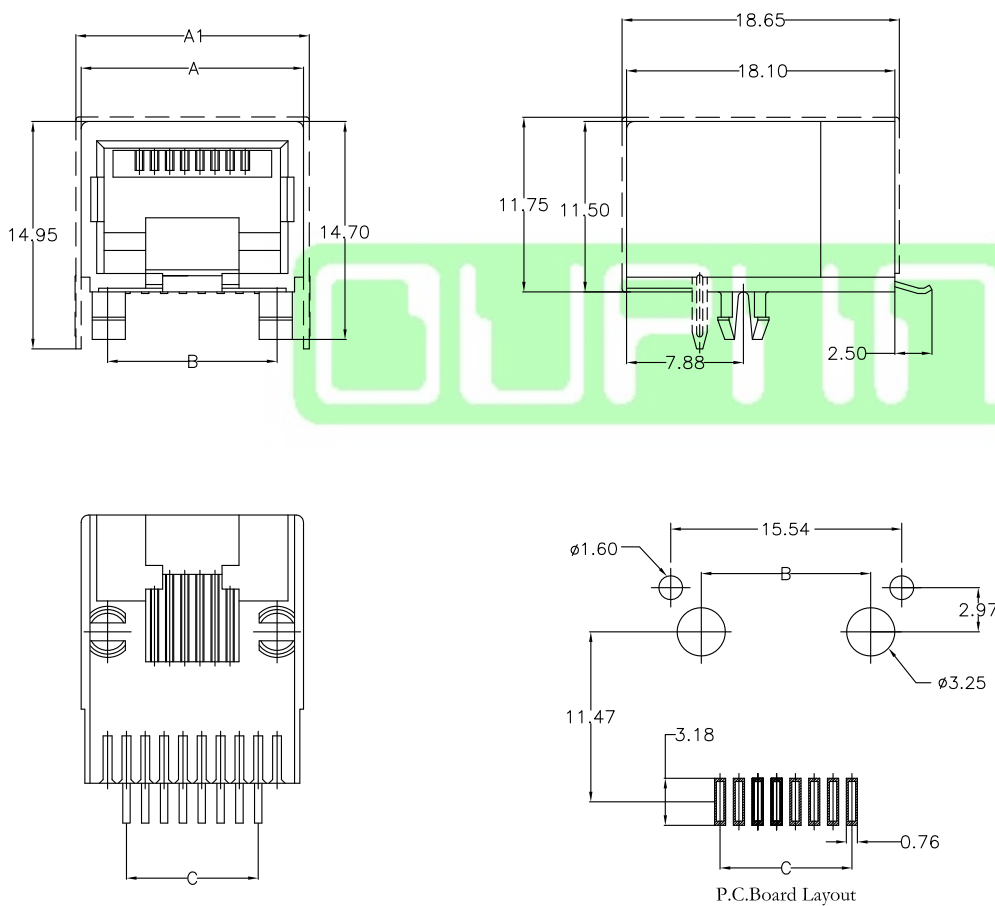
Housing: High Temperature Plastic UL94V-0.  
 Contacts: Copper Alloy.  
 Shield: Copper Alloy, Nickel Plated.  
 Plating: Selective Gold plated on contact area over Nickel.

### Electrical Characteristics:

Current Rating: 1.5 A.  
 Insulator Resistance: 1000MΩ min.  
 Contact Resistance: 30mΩ max.  
 Operating Temperature: -40°C~+85°C.

### Features:

- \* PCB Mount SMD Type.
- \* Shield Optional.



No. of Position	No. of Contacts	Dimensions			
		A1	A	B	C
4	4	11.20	7.62	3.81	
6	6	13.58	12.96	10.16	6.35
8	8	15.74	15.00	11.43	8.89

## Ordering information

<b>8949-K2D</b>	<b>8</b>	<b>8</b>	<b>-06</b>	<b>S</b>	<b>B</b>	<b>A</b>
Series	8: 8 Position 6: 6 Position 4: 4 Position	8: 8 Contacts 6: 6 Contacts 4: 4 Contacts	06: 6 $\mu$ Gold Plated 15: 15 $\mu$ Gold Plated 30: 30 $\mu$ Gold Plated 50: 50 $\mu$ Gold Plated	S: Shield (only for 6,8 position) Blank: Non-Shield	B: Black	A: Tray Package

Information including designs, specifications and components may be changed or updated without notice.

A203