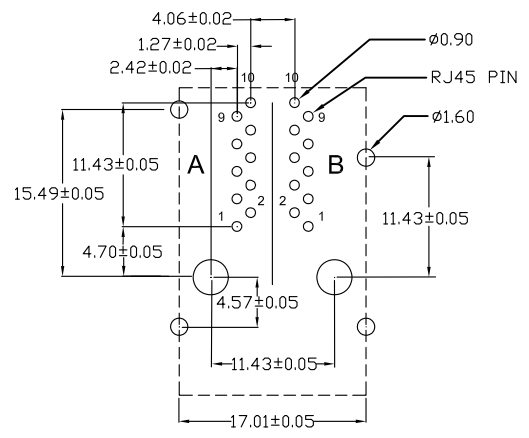
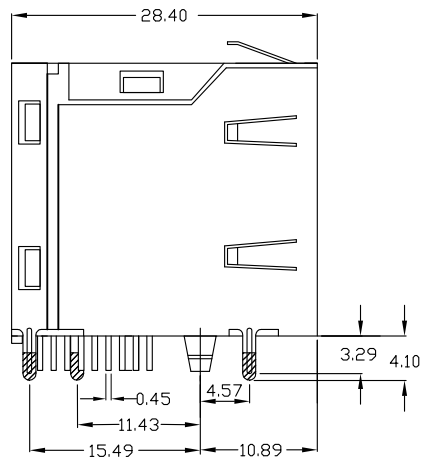
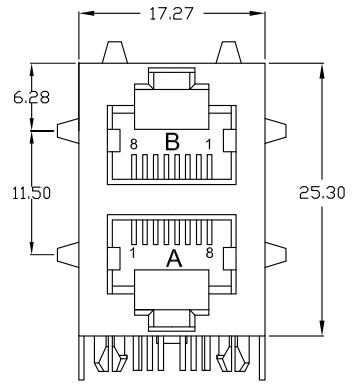
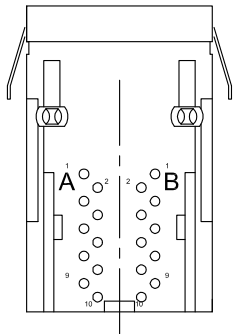
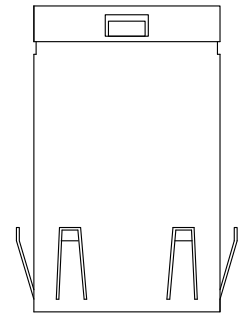


REV.	SPECIFICATION	ECN NO.	APPD.

A
B
C
D
E
F
G
H

A
B
C
D
E
F
G
H



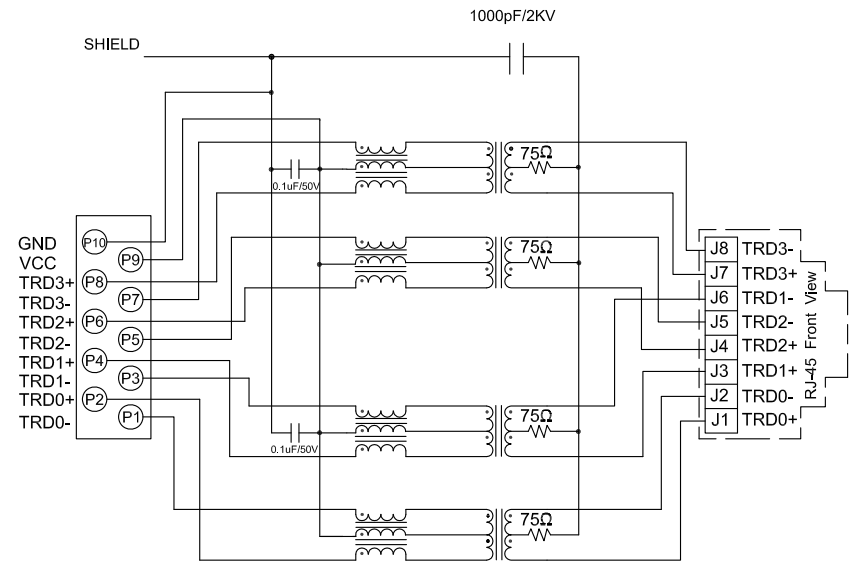
Mechanicals

Housing: Thermoplastic Polyester Glass Filled UL94V-0.
 Insert: Copper Alloy, Thermoplastic Polyester Glass Filled UL94V-0.
 Contact Pin: Copper Alloy.
 Shielding: Copper Alloy.

Electrical Specifications@25°C:

Turn Ratio(±5%): 1CT:1CT.
 OCL(100KHz/0.1V@8mA): 350uH Min.
 Insertion Loss(dB MAX): -1.0dB(1-65MHz).
 Return Loss(dB TYP): -20dB(1-10MHz),-16dB(30MHz),-12dB(60-80MHz).
 Cross Talk(dB MIN): -40dB(1-10MHz),-35dB(32-60MHz),-30dB(60-100MHz).
 CMR(dB TYP): -30dB(1-50MHz),-20dB(50-130MHz).
 HI-POT: 1500Vrms/0.5mA/60Sec or 1650Vrms/0.5mA/2Sec.
 Operating Temperature: -40°C~+85°C.

***RoHS Compliance.**



8949-M5 **8** **8** **2** **/15** **S** **1** **B** **01** **A**
 Series Position 8:8 Contacts 2:2x1=2 Ports 15:15u" Gold Plated S:Shield 1:With Grounding B:Black Internal Code A:Tray Package

Tolerances	Dwg. No.	8949D02139		Title:	
x = ±0.5	Projection	⊕ ⊖		8949-M5 Series RJ45 1000 Base-T Jack With Magnetic Module	
.x = ±0.38	Unit	mm	Scale		1:1
.xx = ±0.25	Drawn By	ZJJ	08/02'12		①560

8949-M5 Series
 RJ45 1000 Base-T Jack
 With Magnetic Module



OUPIN ELECTRONIC(KUNSHAN) CO., LTD.			
P/N: 8949-M5882/15S1B01A			
SHEET	1/1	Ver.No.	A4