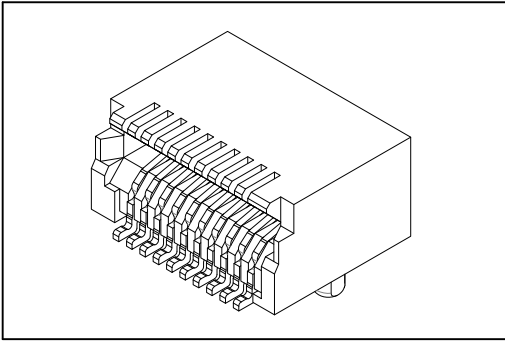


8950 Series

SFP Connector 0.80mm(0.0315")



Material:

Housing: High Temperature Plastic UL94V-0.

Contacts: Copper Alloy.

Electrical Characteristics:

Current Rating: 0.5 A.

Dielectric Withstanding Voltage: AC 300V.

Insulation Resistance: 500M Ω min.

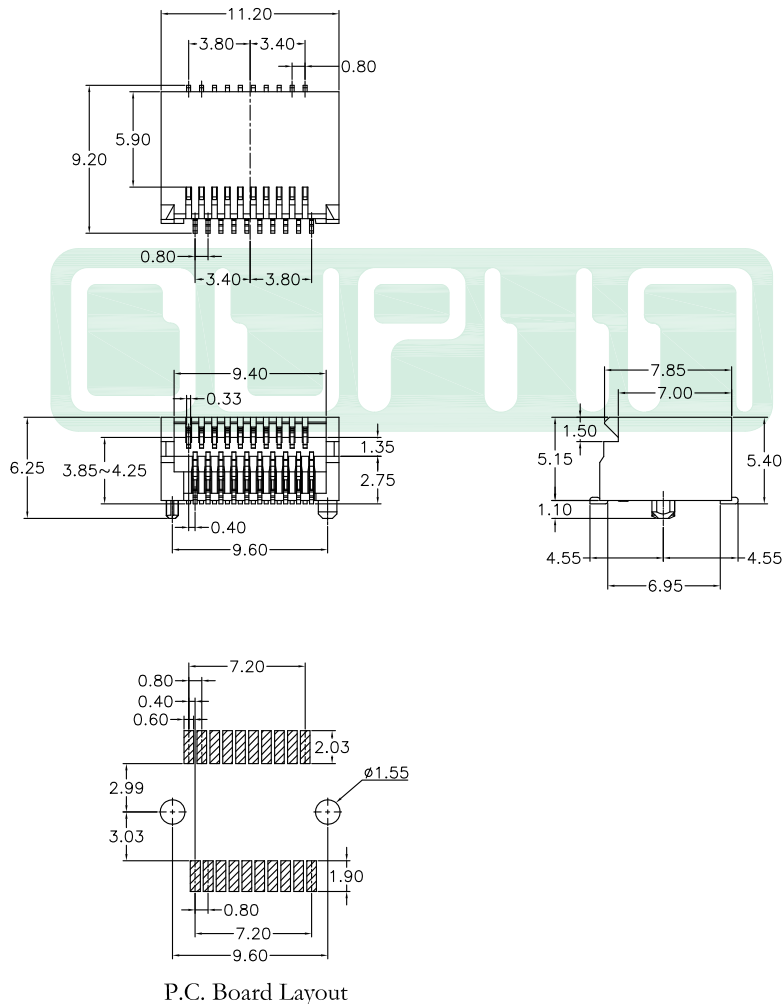
Contact Resistance: 35m Ω max.

Operating Temperature: -55°C~+85°C.

Features:

* Additional plating options available.

* Mates With: Transceiver Module.



Ordering information

<u>8950-Z</u>	<u>20</u>	<u>CB</u>	<u>30</u>	<u>D</u>	<u>P</u>	<u>T</u>
Series	Position	CB: Contact Au+Pd/Ni, Dip Tin plated	30: 30 μ "	D: SMD Type	P: With Post	T: Tape & Reel Package

Information including designs, specifications and components may be changed or updated without notice.

CB09