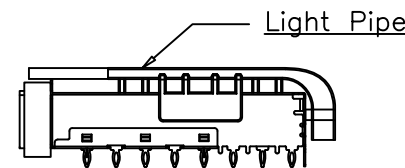
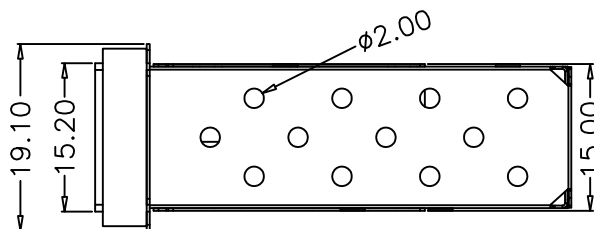
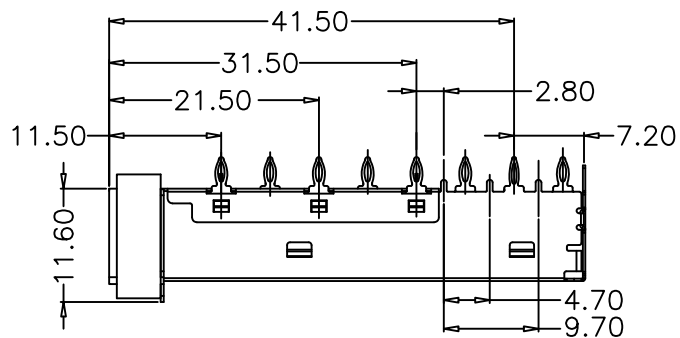


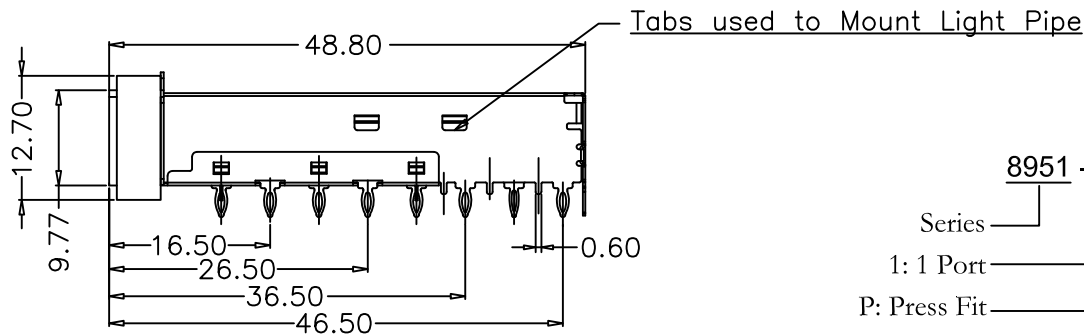
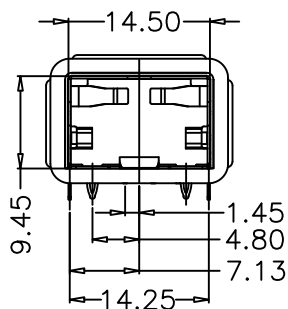
REV.	SPECIFICATION	ECN NO.	APPD.

**Material:**

Cage: Copper Alloy, Nickel Plating.  
 Frame: Copper Alloy, Nickel Plating.  
 Gasket: Foam.  
 Light Pipe: Thermoplastic Polyester.  
 Operating Temperature: -40°C ~ +85°C  
**\*RoHS Compliant**



Reference

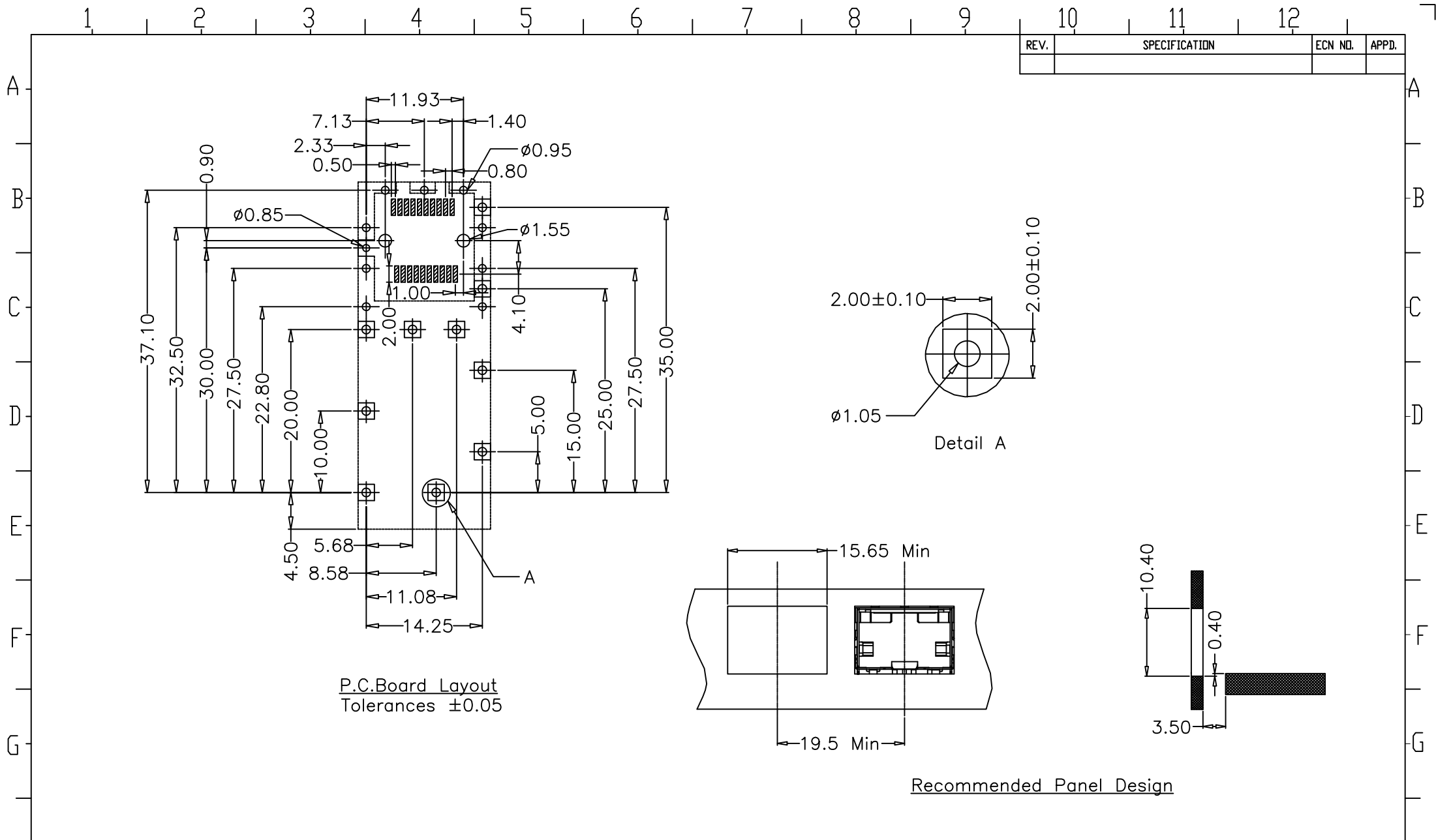


8951 - 1 P E x A

Series — 8951  
 1: 1 Port  
 P: Press Fit

A: Tray Package  
 0: W/O Light Pipe  
 1: With Light Pipe  
 E: SFP+Elastomeric Gasket


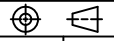
Tolerances	Dwg. No.	8951D00010	Title:		 OUPIN ELECTRONIC(KUNSHAN) CO., LTD. P/N: 8951-1PExA			
.X=±0.30	Projection		8951 Series					
.XX=±0.20	Unit	mm	Scale	1:1	SFP+ Cage, R/A, Metal Shield			
.XXX=±0.10	Drawn By	Vic Lyu12/17'14	D658		Press Fit Type With Frame & Elastomeric Gasket & Light Pipe			
					SHEET	1/2	Ver. No.	X1



P.C.Board Layout  
Tolerances ±0.05

Recommended Panel Design

REV.	SPECIFICATION	ECN NO.	APPD.

Tolerances	Dwg. No.	8951D00010	Title:		 <b>OUPIIN ELECTRONIC(KUNSHAN) CO., LTD.</b> P/N: 8951-1PExA			
.X=±0.30	Projection		8951 Series					
.XX=±0.20	Unit	mm	Scale	1:1	SFP+ Cage, R/A, Metal Shield			
.XXX=±0.10	Drawn By	Vic Lyu12/17'14	658		Press Fit Type With Frame			
					&Elastomeric Gasket &Light Pipe			
					SHEET	2/2	Ver. No.	X1