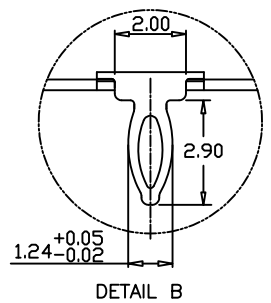
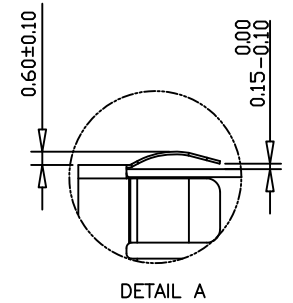
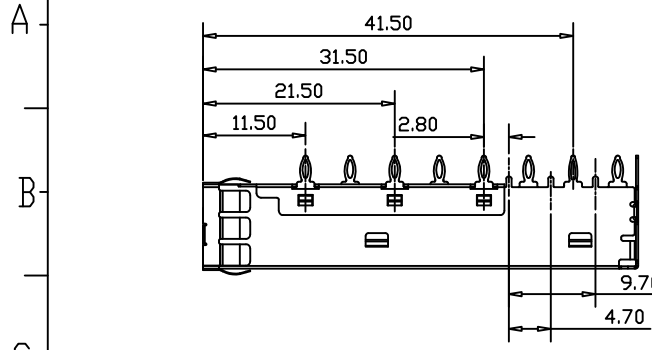
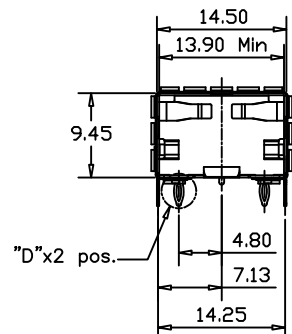
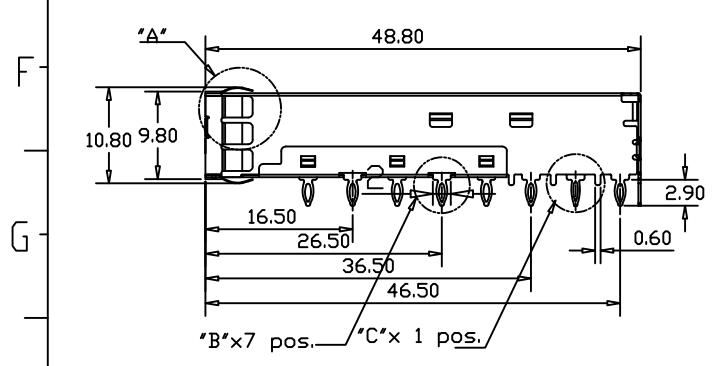
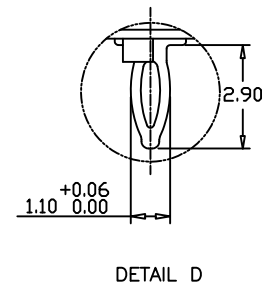
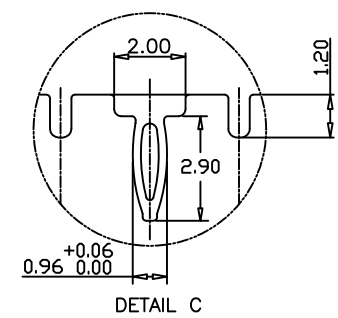
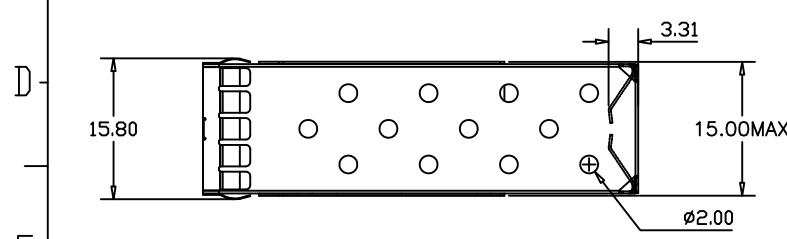


REV.	SPECIFICATION	ECN NO.	APPD.
------	---------------	---------	-------



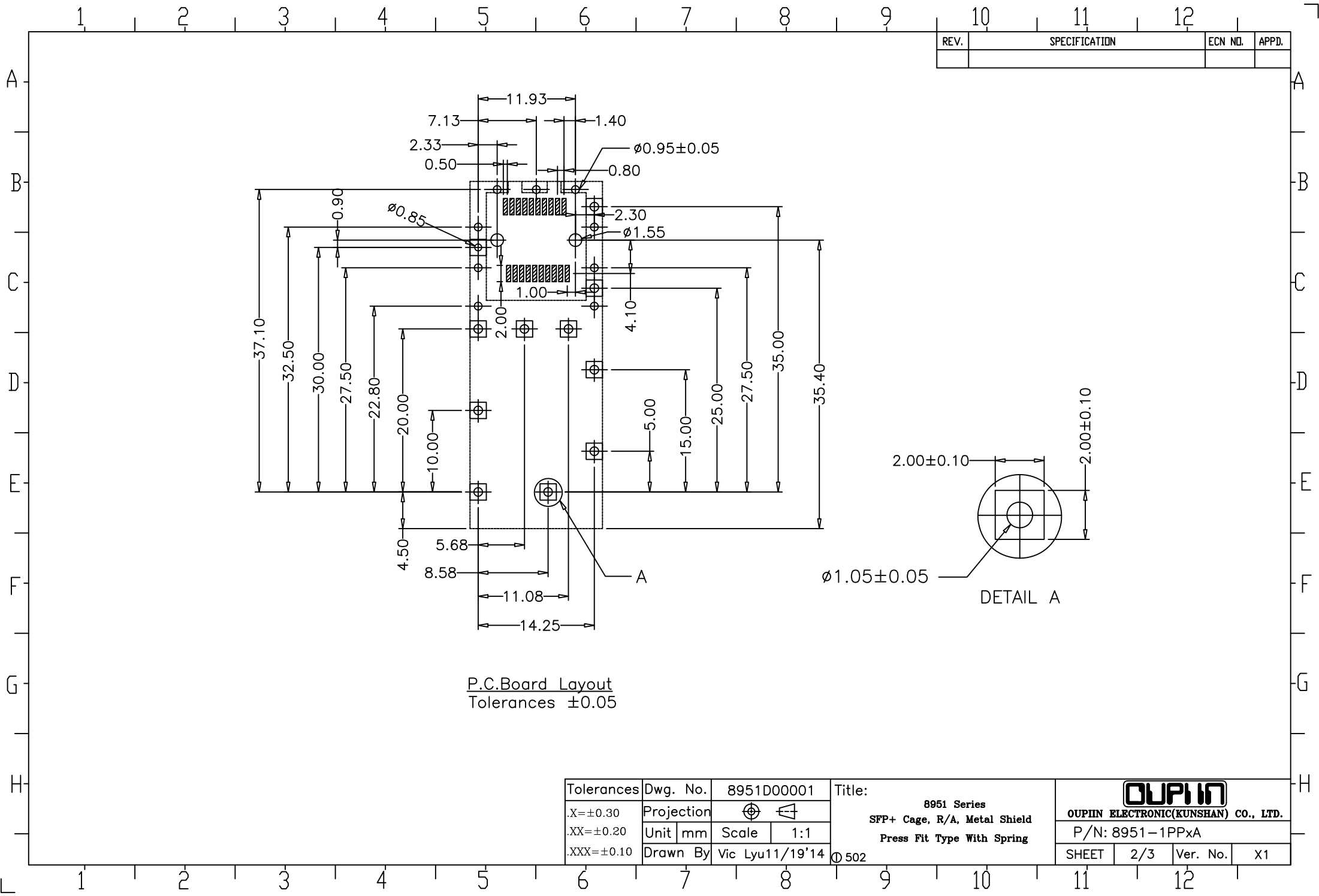
**Material:**  
 Cage: Copper Alloy, Nickel Plating.  
 Operating Temperature: -55°C ~ +85°C  
**\*RoHS Compliant**



8951 - 1 P P X A  
 Series 1: 1 Port P: Press Fit P: Spring Plus 0: W/O Light Pipe A: Tray Package  
 1: With Light Pipe



Tolerances	Dwg. No.	8951D00001	Title:		 OUPIN ELECTRONIC(KUNSHAN) CO., LTD. P/N: 8951-1PPxA SHEET 1/3 Ver. No. X1			
.X=±0.30	Projection		8951 Series					
.XX=±0.20	Unit	mm	Scale	1:1				
.XXX=±0.10	Drawn By	Vic Lyu11/19'14	SFP+ Cage, R/A, Metal Shield Press Fit Type With Spring					





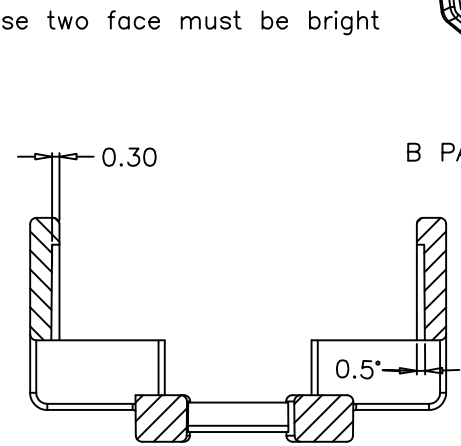
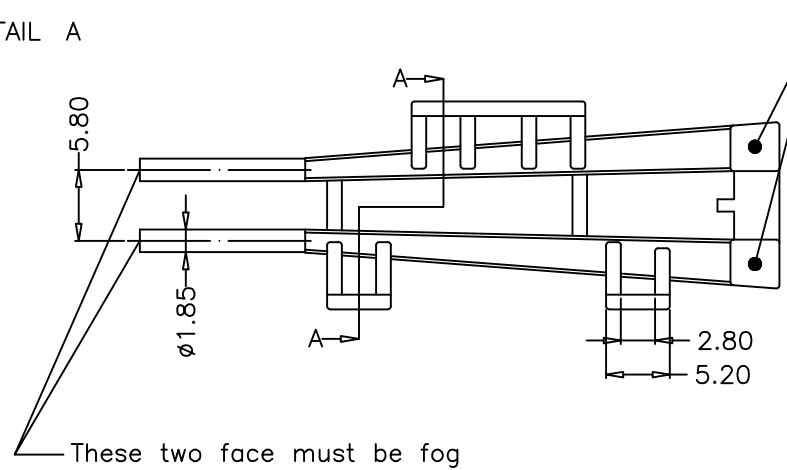
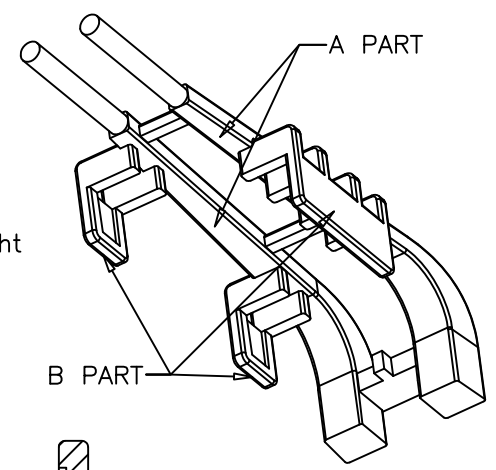
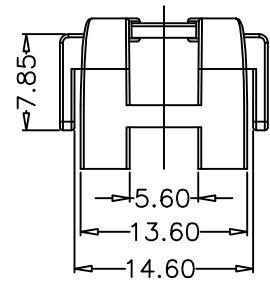
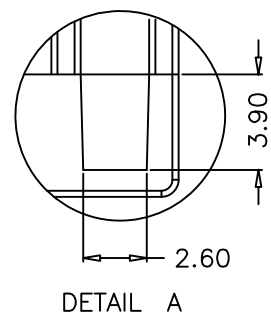
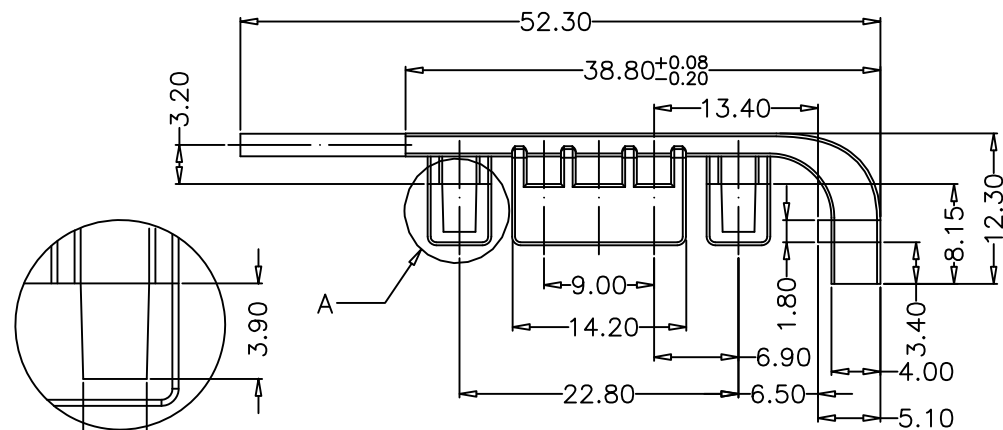
REV.	SPECIFICATION	ECN NO.	APPD.

P.C.Board Layout  
Tolerances ±0.05


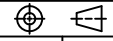
Tolerances	Dwg. No.	8951D00001	Title:		 <b>OUPIIN ELECTRONIC(KUNSHAN) CO., LTD.</b> P/N: 8951-1PPxA SHEET 2/3 Ver. No. X1
.X=±0.30	Projection		8951 Series		
.XX=±0.20	Unit	mm	Scale	1:1	
.XXX=±0.10	Drawn By	Vic Lyu11/19'14	502	Press Fit Type With Spring	

REV.	SPECIFICATION	ECN NO.	APPD.

**Material:**  
Housing: Thermoplastic Polyester.



SECTION A-A

Tolerances	Dwg. No.	8951D00001	Title:		 <b>OUPIIN ELECTRONIC(KUNSHAN) CO., LTD.</b> P/N: 8951-1PPxA
.X=±0.30	Projection		8951 Series		
.XX=±0.20	Unit	mm	Scale	1:1	
.XXX=±0.10	Drawn By	Vic Lyu11/19'14	Light Pipe		
SHEET 3/3 Ver. No. X1					