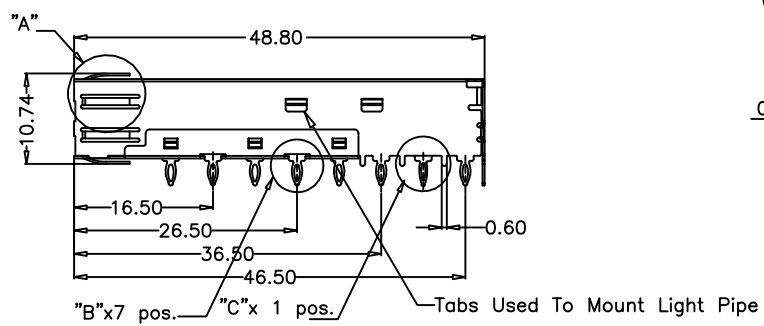
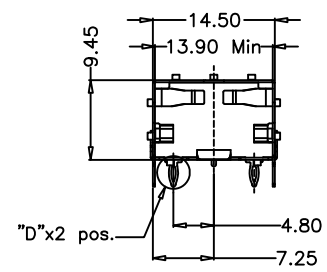
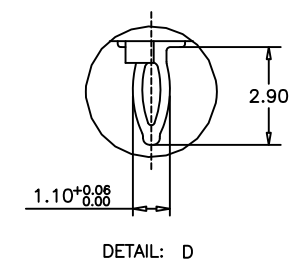
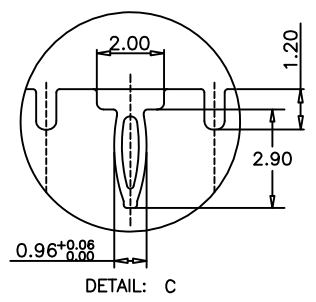
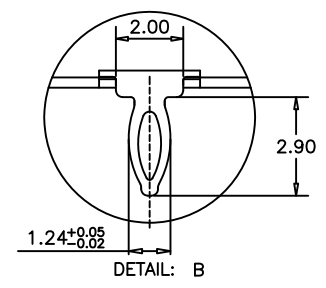
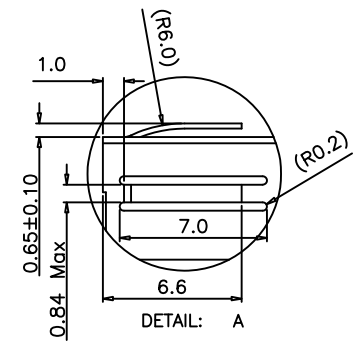
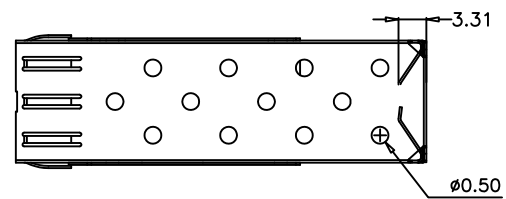
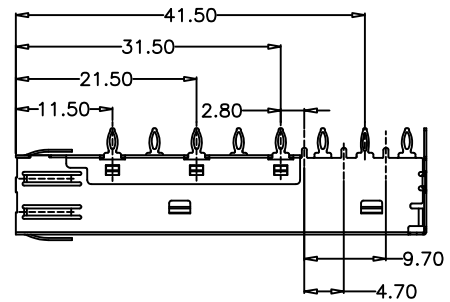


REV.	SPECIFICATION	ECN NO.	APPD.
------	---------------	---------	-------

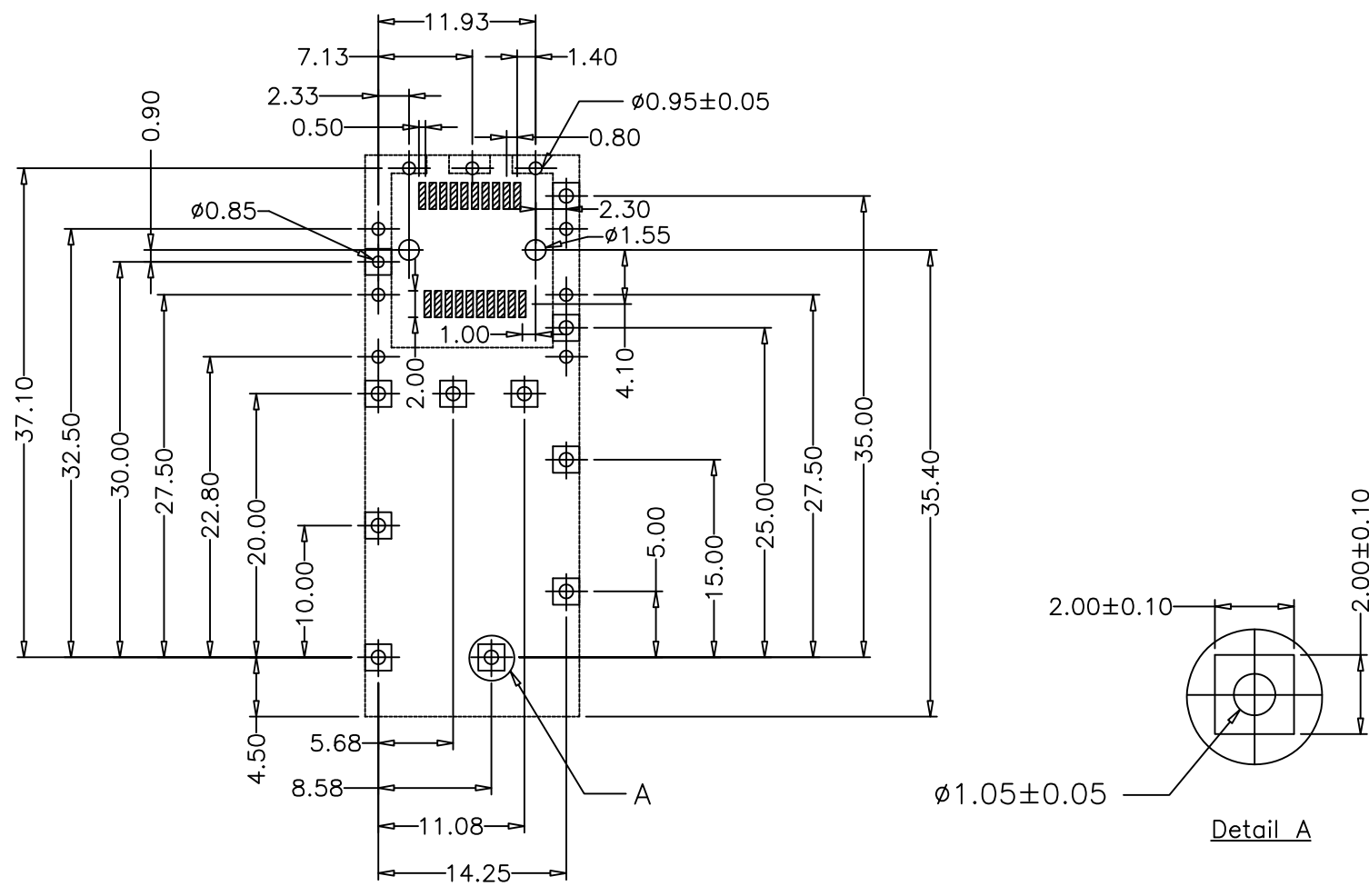
**Material:**  
 Cage: Copper Alloy, Nickel Plating.  
 Operating Temperature: -55°C ~ +85°C  
**\*RoHS Compliant**



**8951 - 1 P S 1 A**  
 Series 1: 1 Port P: Press Fit S: Spring 1: With Light Pipe A: Tray Package

Tolerances	Dwg. No.	S0220141217-03	Title:	<b>8951 Series</b> <b>SFP Cage, R/A, Metal Shield</b> <b>Press Fit Type, With Spring</b> <b>(Light Pipe Use)</b>	 <b>OUPIN ELECTRONIC(KUNSHAN) CO., LTD.</b> P/N: 8951-1PS1A
.X=±0.30	Date	20141218	Unit mm Scale 1/N T.S. Drawn By Vic Lyu		
.XX=±0.20	Unit	mm			
.XXX=±0.10	Drawn By	Vic Lyu			
				SHEET 1/3 Ver. No. X1	

REV.	SPECIFICATION	ECN NO.	APPD.



P.C.Board Layout  
Tolerances ±0.05

Tolerances	Dwg. No.	S0220141217-03	Title:
.X=±0.30	Date	20141218	8951 Series SFP Cage, R/A, Metal Shield Press Fit Type, With Spring (Light Pipe Use)
.XX=±0.20	Unit	mm	
.XXX=±0.10	Scale	1/N T.S.	
	Drawn By	Vic Lyu	

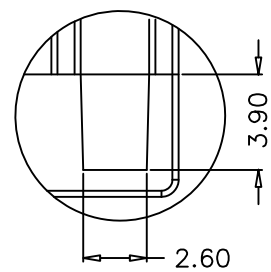
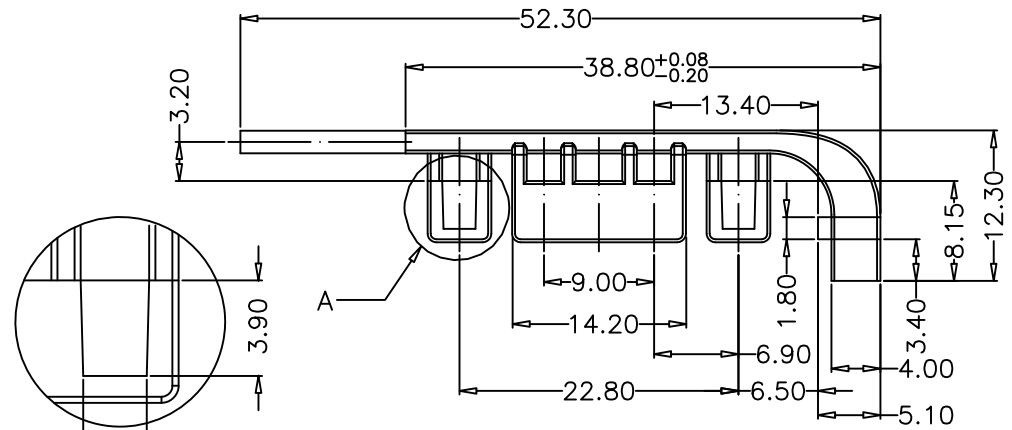
8951 Series  
SFP Cage, R/A, Metal Shield  
Press Fit Type, With Spring  
(Light Pipe Use)

**OUPIN**  
OUPIN ELECTRONIC(KUNSHAN) CO., LTD.  
P/N: 8951-1PS1A

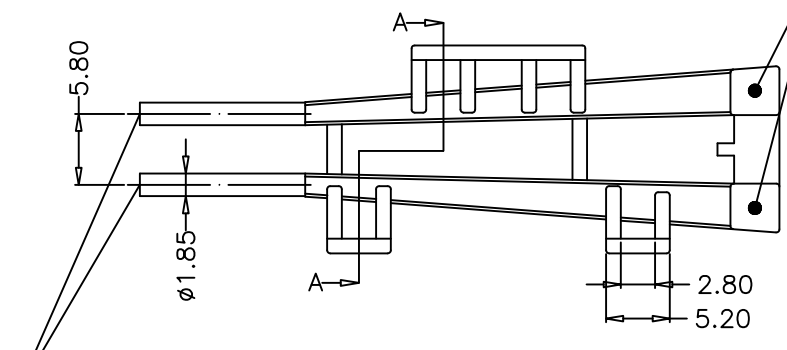
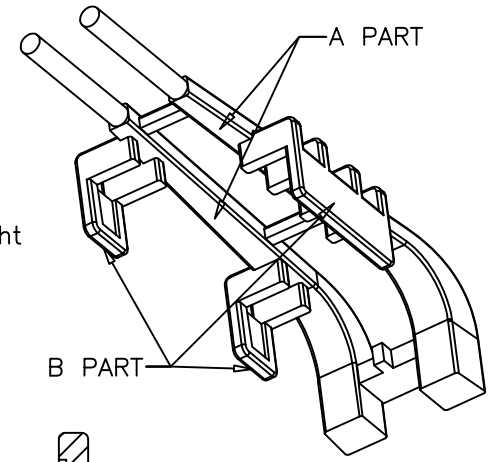
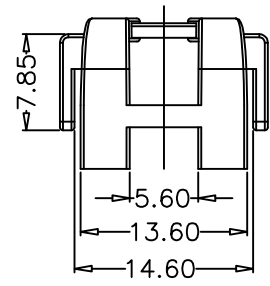
SHEET	2/3	Ver. No.	X1
-------	-----	----------	----

REV.	SPECIFICATION	ECN NO.	APPD.

**Material:**  
Housing: Thermoplastic Polyester.

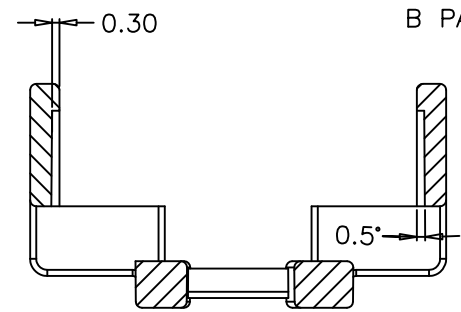


DETAIL A



These two face must be fog

These two face must be bright



SECTION A-A

Tolerances	Dwg. No.	S0220141217-03		Title:	
.x=±0.30	Date	20141218		8951 Series Light Pipe	
.xx=±0.20	Unit	mm	Scale		1/N T.S.
.xxx=±0.10	Drawn By	Vic Lyu			

**OUPIIN**  
OUPIIN ELECTRONIC(KUNSHAN) CO., LTD.  
P/N: 8951-1PS1A

SHEET	3/3	Ver. No.	X1
-------	-----	----------	----