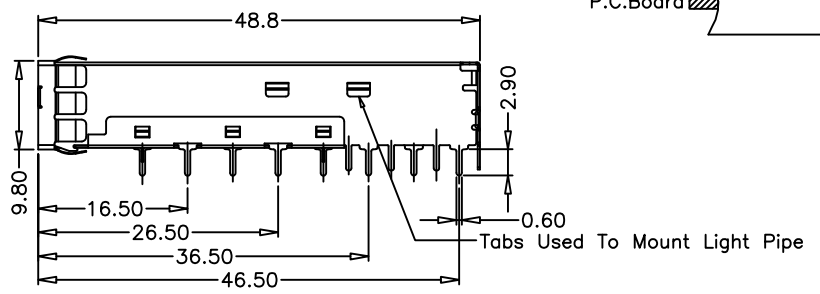
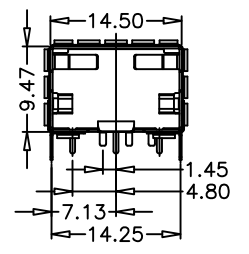
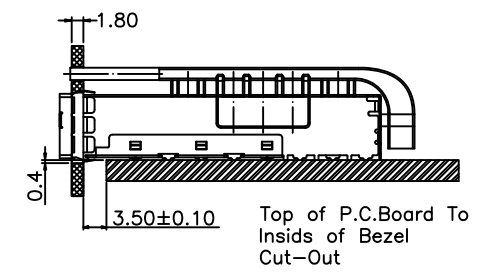
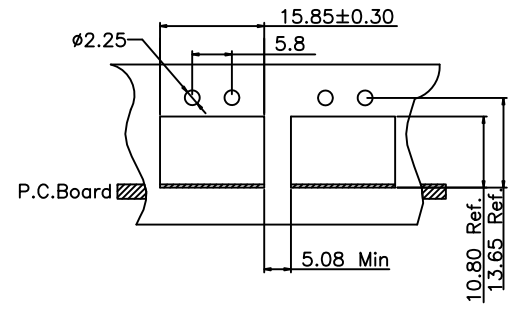
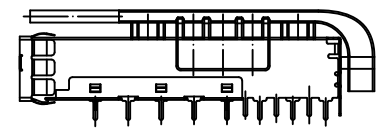
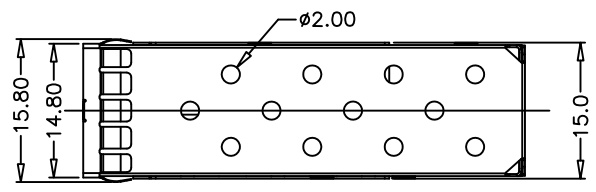
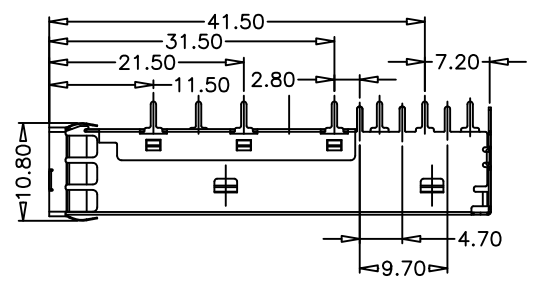


REV.	SPECIFICATION	ECN NO.	APPD.

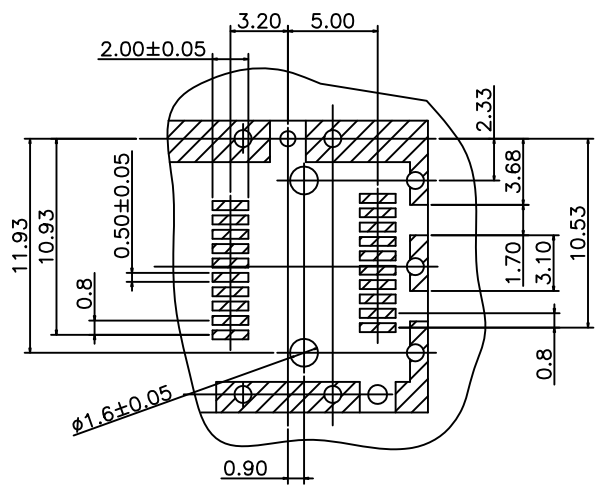
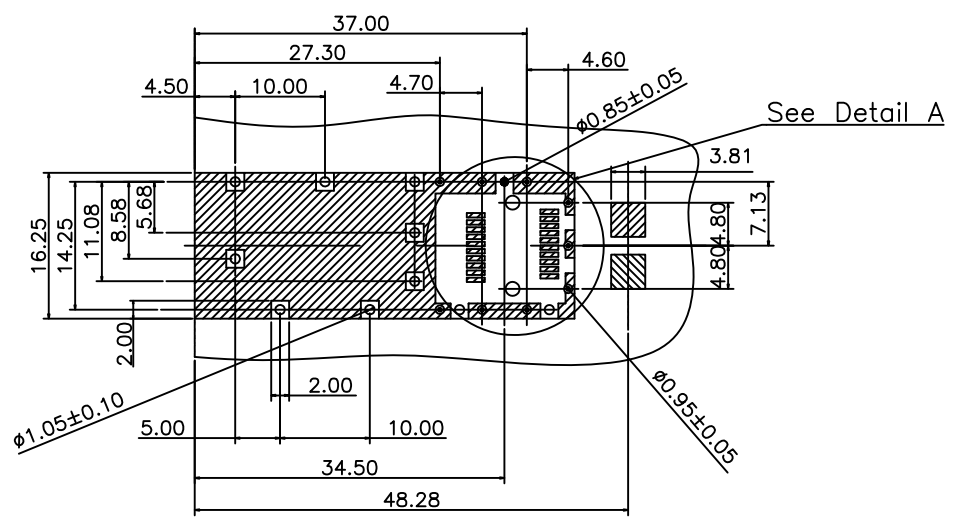
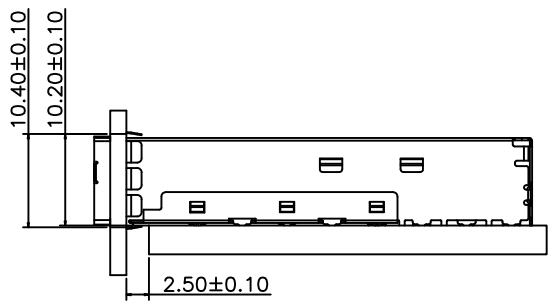
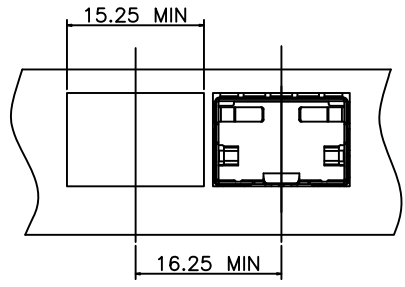
**Material:**  
 Cage: Copper Alloy, Nickel Plating.  
 Operating Temperature: -55°C ~ +85°C  
**\*RoHS Compliant**



**8951 - 1**    **S**    **P**    **x**    **A**  
 Series 1: 1 Port    S: Dip    P: Spring    0: W/O Light Pipe    A: Tray  
    Plus    1: With Light Pipe    Package

Tolerances	Dwg. No.	S0220141217-04	Title:		 <b>OUPIN ELECTRONIC(KUNSHAN) CO., LTD.</b> P/N: 8951-1SPxA 909 908 907 SHEET 1/3 Ver. No. X1
.X=±0.30	Date	20141218	8951 Series		
.XX=±0.20	Unit	mm	Scale	1/N T.S.	
.XXX=±0.10	Drawn By	Vic Lyu	SFP+ Cage, R/A, Metal Shield With Spring		

REV.	SPECIFICATION	ECN NO.	APPD.
------	---------------	---------	-------



P.C.Board Layout  
Tolerances ±0.05

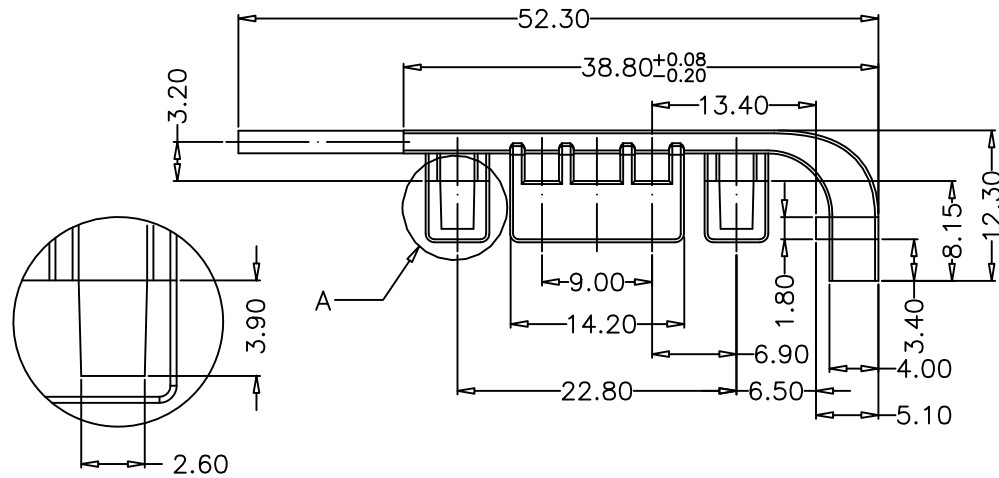
Detail A

Tolerances	Dwg. No.	S0220141217-04		Title:	
.X=±0.30	Date	20141218		8951 Series SFP+ Cage, R/A, Metal Shield With Spring	
.XX=±0.20	Unit	mm	Scale		1/N T.S.
.XXX=±0.10	Drawn By	Vic Lyu			

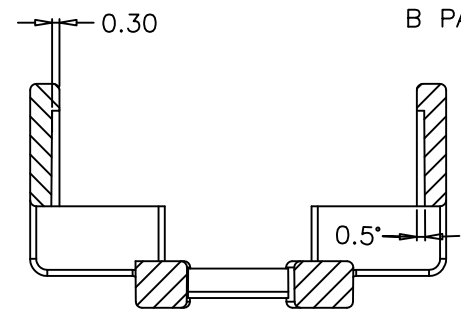
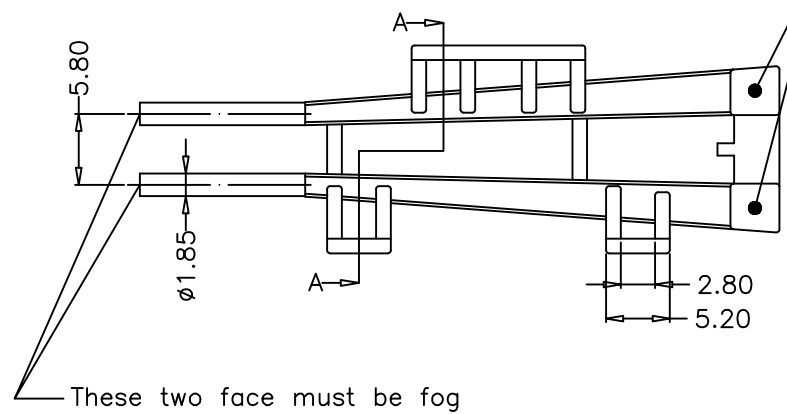
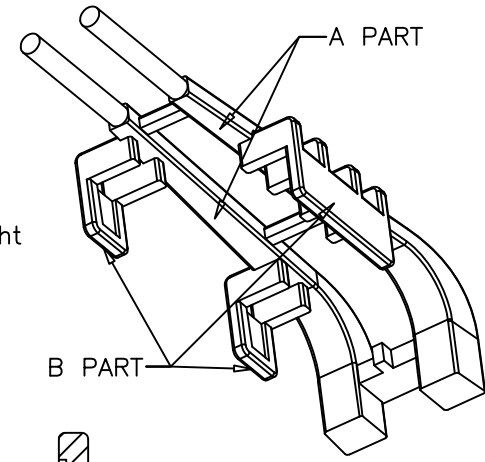
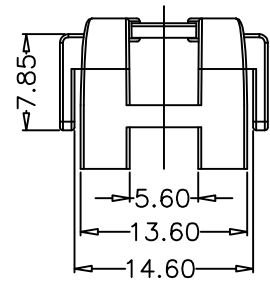
<b>OUPIN</b>			
OUPIN ELECTRONIC(KUNSHAN) CO., LTD.			
P/N: 8951-1SPxA			
SHEET	2/3	Ver. No.	X1

REV.	SPECIFICATION	ECN NO.	APPD.

**Material:**  
Housing: Thermoplastic Polyester.



DETAIL A



SECTION A-A

Tolerances	Dwg. No.	S0220141217-04	Title:	8951 Series Light Pipe	 <b>OUPIIN ELECTRONIC(KUNSHAN) CO., LTD.</b> P/N: 8951-1SPxA
.x=±0.30	Date	20141218	Unit mm Scale 1/N T.S.		
.xx=±0.20	Unit mm	Scale 1/N T.S.			
.xxx=±0.10	Drawn By	Vic Lyu	SHEET 3/3 Ver. No. X1		