

REV.	SPECIFICATION	ECN NO.	APPD.

Material:

Cage: Copper Alloy, Nickel Plating.

Operating Temperature: -55°C ~ +85°C

***RoHS Compliant**

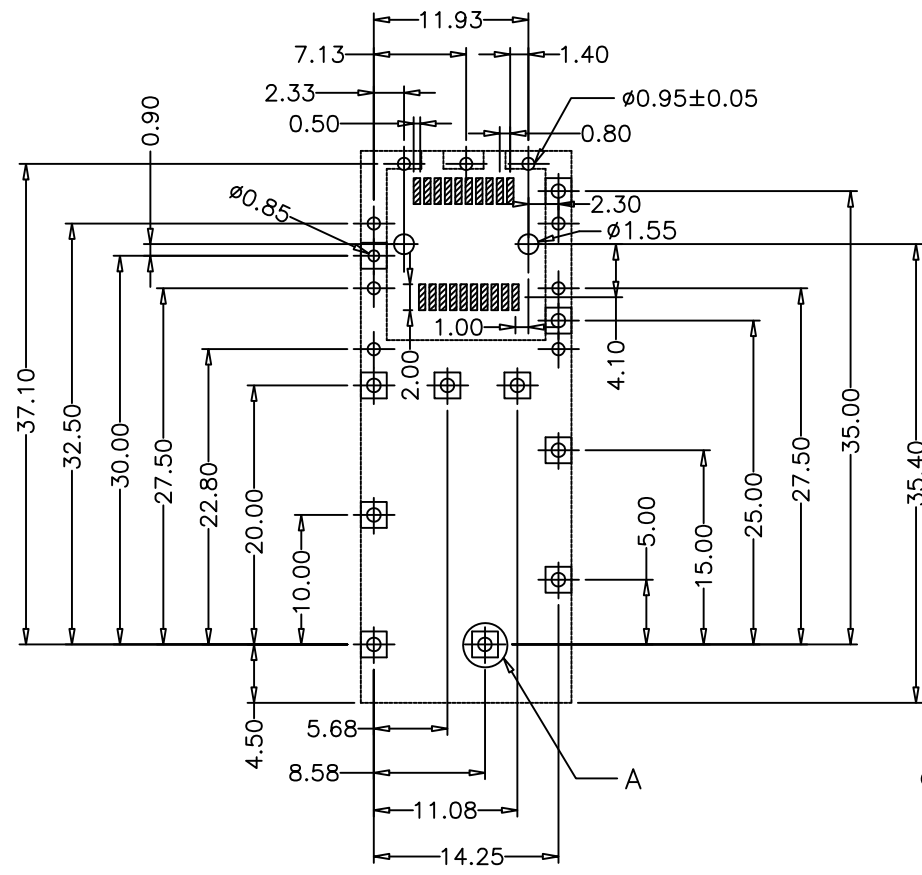
8951 - 1 S S 1 A
 Series 1: 1 Port S: Dip S: Spring 1: With Light Pipe A: Tray Package

Tolerances	Dwg. No.	8951D00004	Title:		 OUPIIN ELECTRONIC(KUNSHAN) CO., LTD. P/N: 8951-1SS1A
.X=±0.30	Projection		8951 Series		
.XX=±0.20	Unit	mm	Scale	1:1	
.XXX=±0.10	Drawn By	Vic Lyu11/19'14	SFP Cage, R/A, Metal Shield With Spring(Light Pipe Use)		
			① 502	SHEET	
					1/3
					Ver. No.
					X1

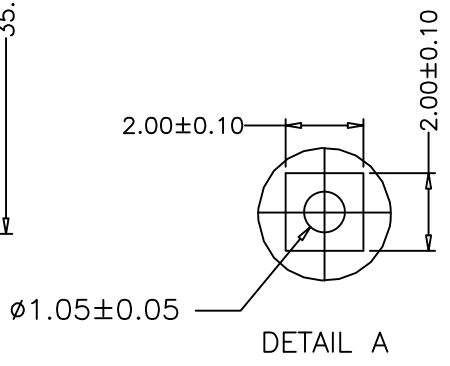
1 2 3 4 5 6 7 8 9 10 11 12


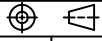
A B C D E F G H

REV.	SPECIFICATION	ECN NO.	APPD.



P.C.Board Layout
Tolerances ± 0.05

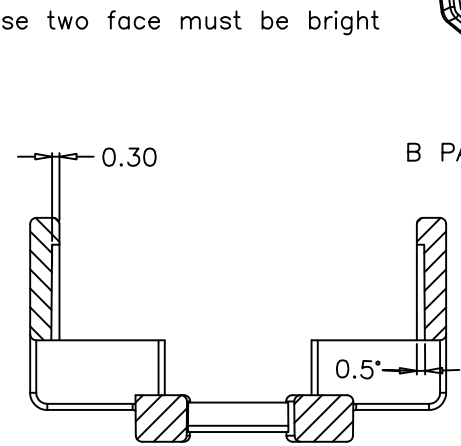
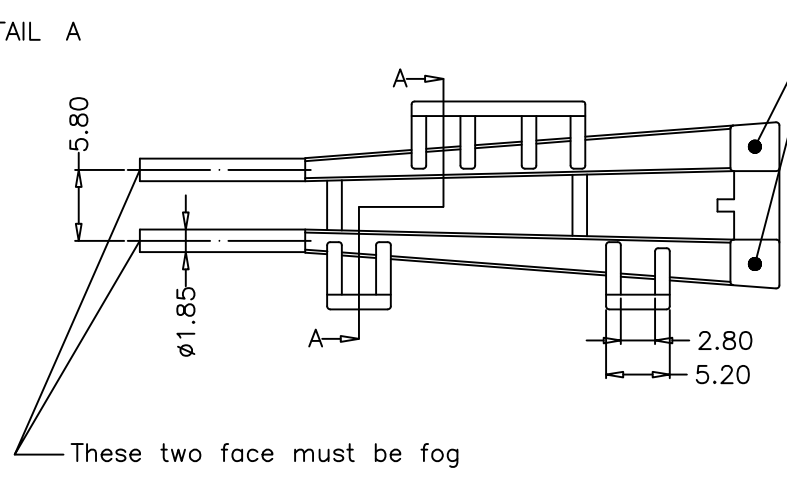
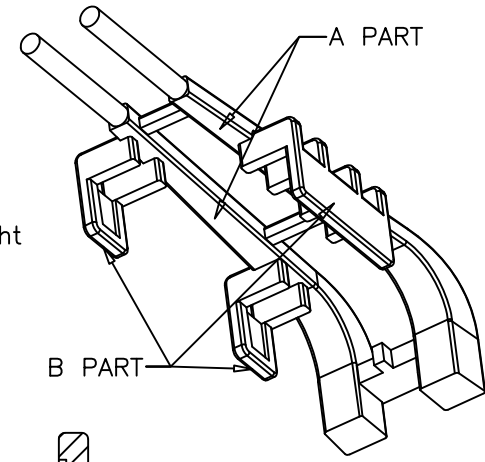
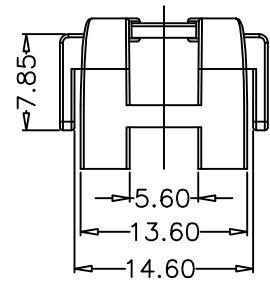
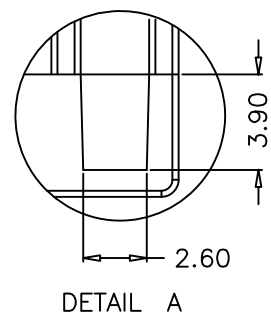
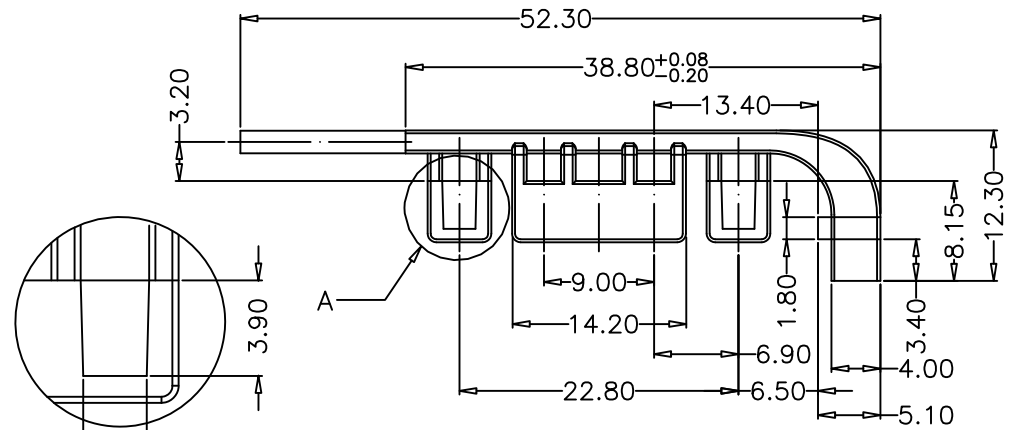


Tolerances	Dwg. No.	8951D00004	Title:		 OUPIIN ELECTRONIC(KUNSHAN) CO., LTD. P/N: 8951-1SS1A		
.X= ± 0.30	Projection		8951 Series				
.XX= ± 0.20	Unit	mm	Scale	1:1			
.XXX= ± 0.10	Drawn By	Vic Lyu11/19'14	SFP Cage, R/A, Metal Shield With Spring(Light Pipe Use)				
			① 502	SHEET	2/3	Ver. No.	X1

1 2 3 4 5 6 7 8 9 10 11 12

REV.	SPECIFICATION	ECN NO.	APPD.

Material:
Housing: Thermoplastic Polyester.



SECTION A-A

Tolerances	Dwg. No.	8951D00004	Title:	8951 Series Light Pipe	 OUPIIN ELECTRONIC(KUNSHAN) CO., LTD. P/N: 8951-1SS1A			
.X=±0.30	Projection		Drawn By Vic Lyu11/19'14 502					
.XX=±0.20	Unit	mm				Scale	1:1	
.XXX=±0.10	Drawn By							
					SHEET	3/3	Ver. No.	X1