

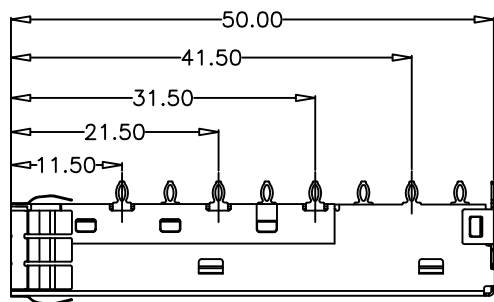
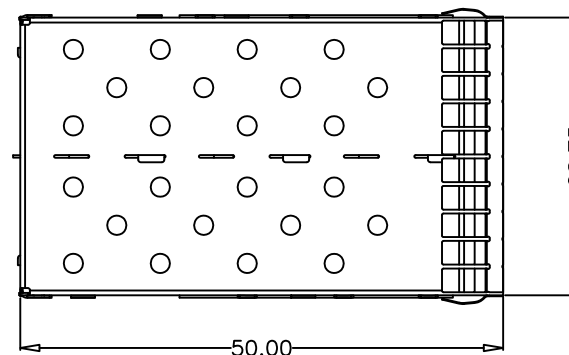
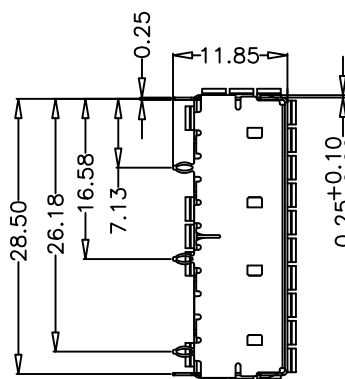
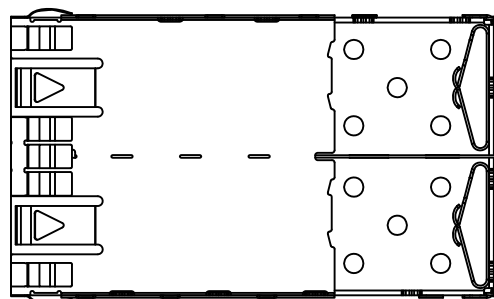
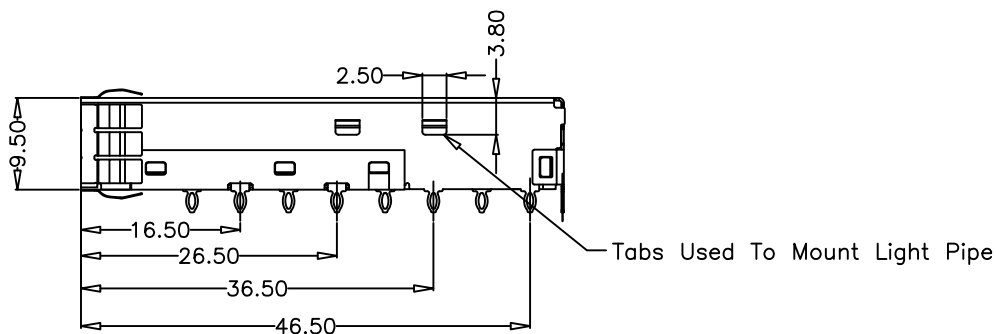
REV.	SPECIFICATION	ECN NO.	APPD.

**Material:**

Cage: Copper Alloy, Nickel Plating.

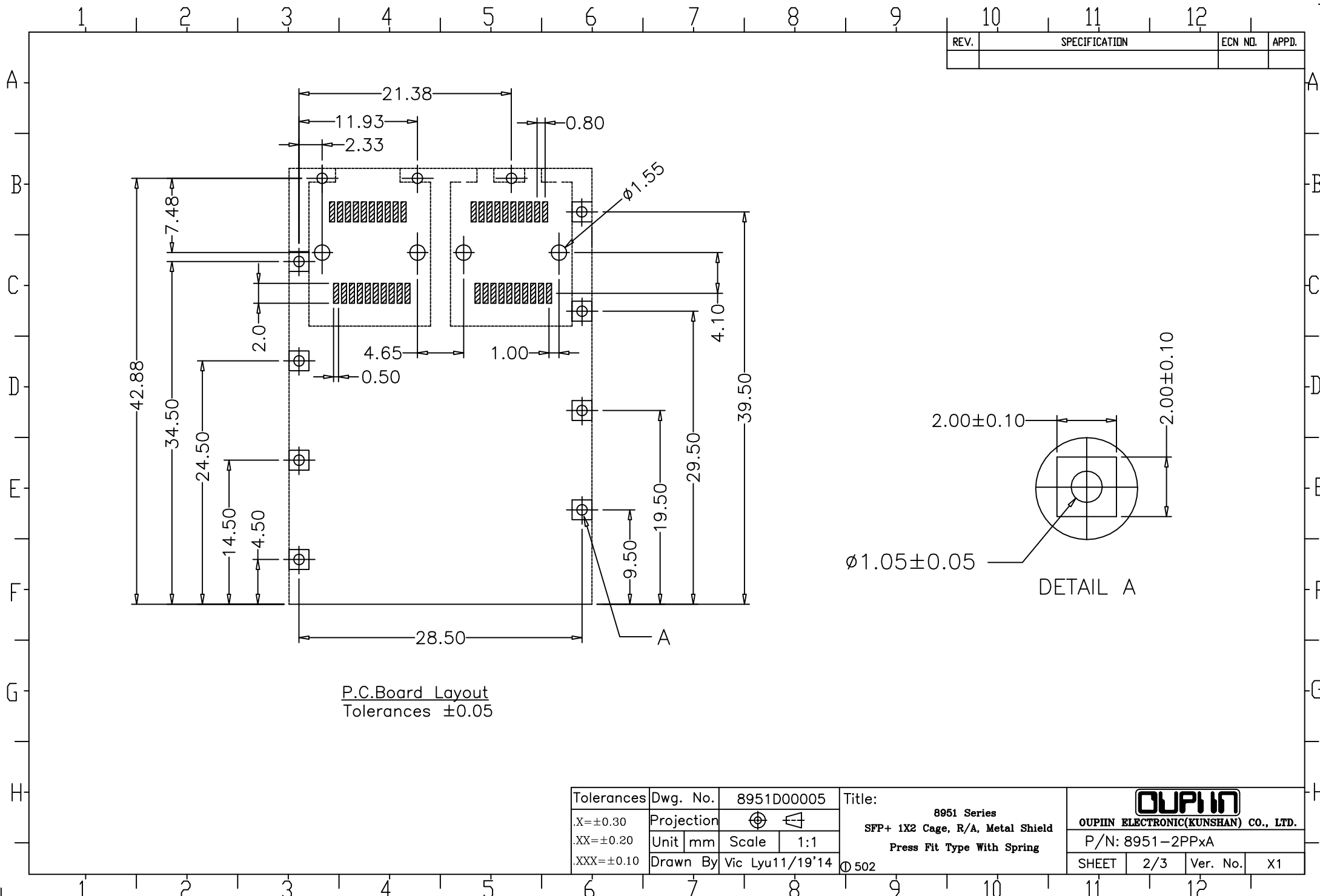
Operating Temperature: -55°C ~ +85°C

**\*RoHS Compliant**




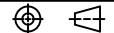
8951 - 2 P P x A  
 Series 2: 2 Ports P: Press Fit P: Spring Plus 0: W/O Light Pipe A: Tray Package  
 1: With Light Pipe

Tolerances	Dwg. No.	8951D00005	Title:		 OUPIIN ELECTRONIC(KUNSHAN) CO., LTD. P/N: 8951-2PPxA
.X=±0.30	Projection		8951 Series		
.XX=±0.20	Unit	mm	Scale	1:1	
.XXX=±0.10	Drawn By	Vic Lyu11/19'14	SFP+ 1X2 Cage, R/A, Metal Shield Press Fit Type With Spring		
			Φ 502	SHEET	
					1/3
					Ver. No.
					X1



REV.	SPECIFICATION	ECN NO.	APPD.

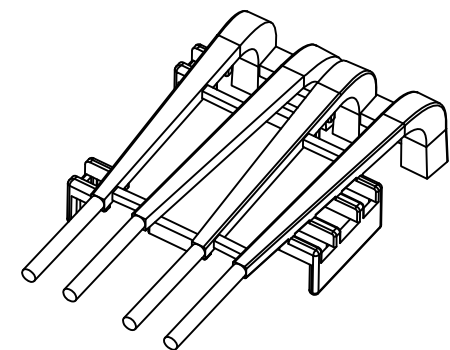
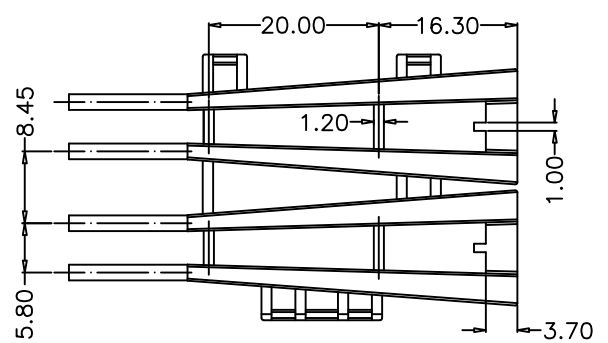
P.C.Board Layout  
Tolerances ±0.05

Tolerances	Dwg. No.	8951D00005	Title:		 <b>OUPIIN ELECTRONIC(KUNSHAN) CO., LTD.</b> P/N: 8951-2PPxA SHEET 2/3 Ver. No. X1
.X=±0.30	Projection		8951 Series		
.XX=±0.20	Unit	mm	Scale	1:1	
.XXX=±0.10	Drawn By	Vic Lyu11/19'14	ϕ 502	Press Fit Type With Spring	

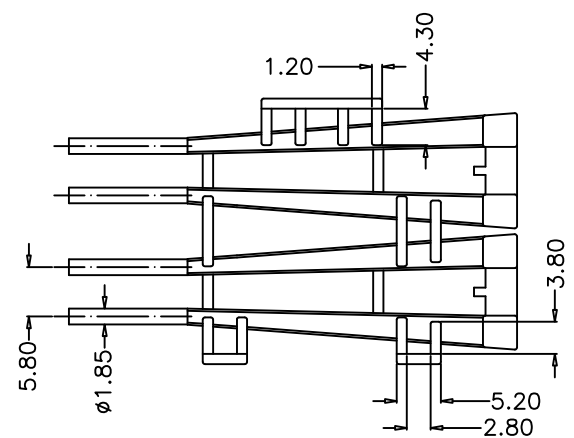
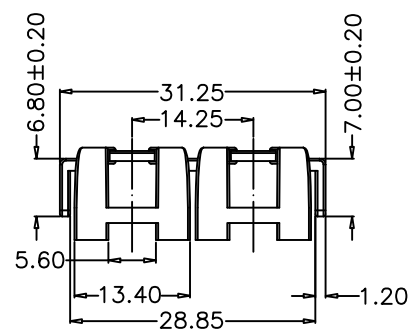
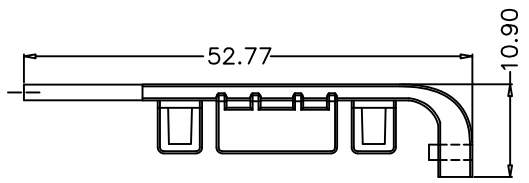
REV.	SPECIFICATION	ECN NO.	APPD.

A  
B  
C  
D  
E  
F  
G  
H

A  
B  
C  
D  
E  
F  
G  
H



**Material:**  
Housing: Thermoplastic Polyester.



Tolerances	Dwg. No.	8951D00005	Title:	
.X=±0.30	Projection		8951 Series	
.XX=±0.20	Unit	mm	Scale	1:1
.XXX=±0.10	Drawn By	Vic Lyu11/19'14	φ 502	1X2 Light Pipe

OUPIIN ELECTRONIC(KUNSHAN) CO., LTD.			
P/N: 8951-2PPxA			
SHEET	3/3	Ver. No.	X1