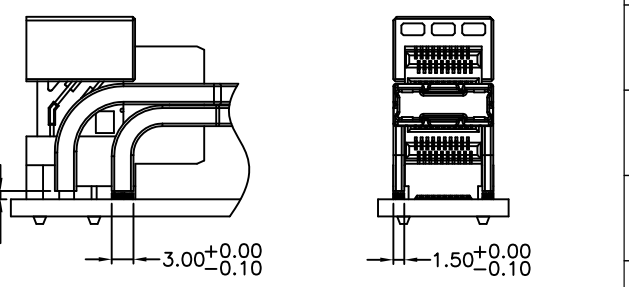
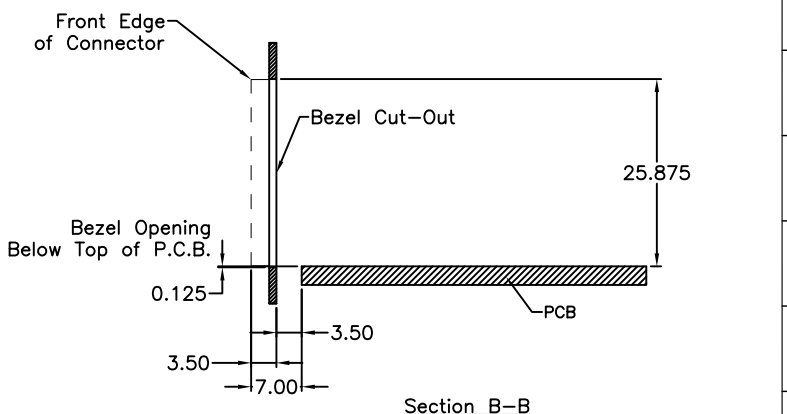


REV.	SPECIFICATION	ECN NO.	APPD.

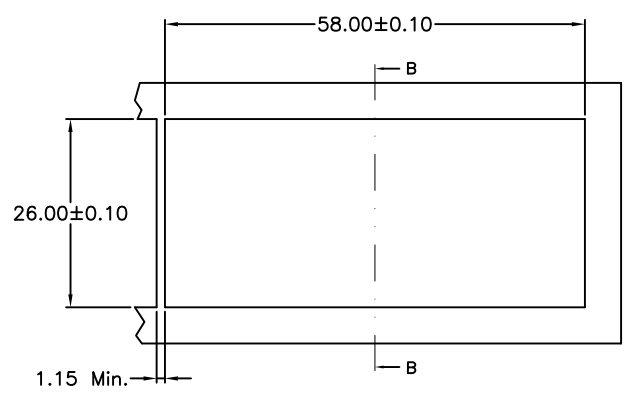
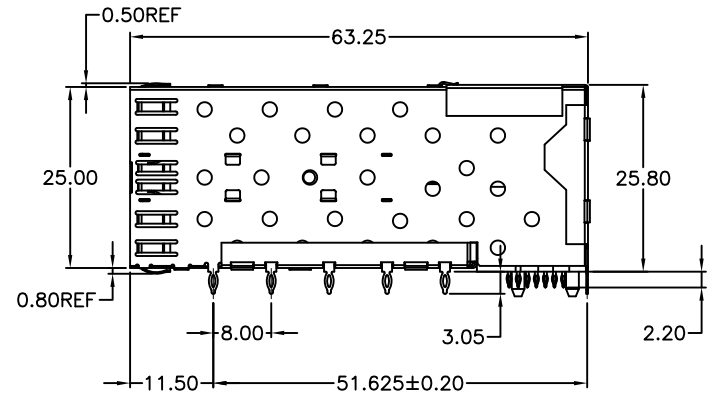
Material:
 Housing: Thermoplastic Polyester Glass Filled UL94V-0, Black.
 Contact: Copper Alloy.
 Cage: Copper Alloy.
 Light Pipe: Thermoplastic Polyester UL94V-0, Clear.
Electrical Characteristics:
 Operating Temperature: -40°C~+85°C
***RoHS Compliant**



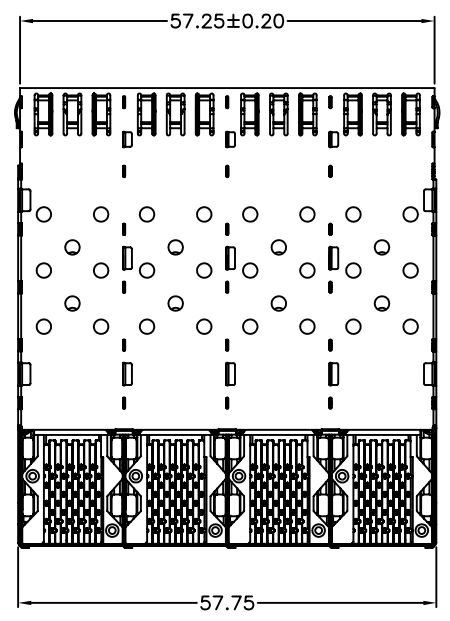
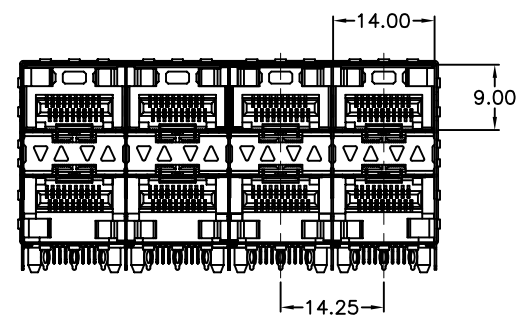
LED Clearance Requirements



Section B-B



Recommended Panel Cutout and P.C. Board
 Panel Position and Thickness 0.8-2.6

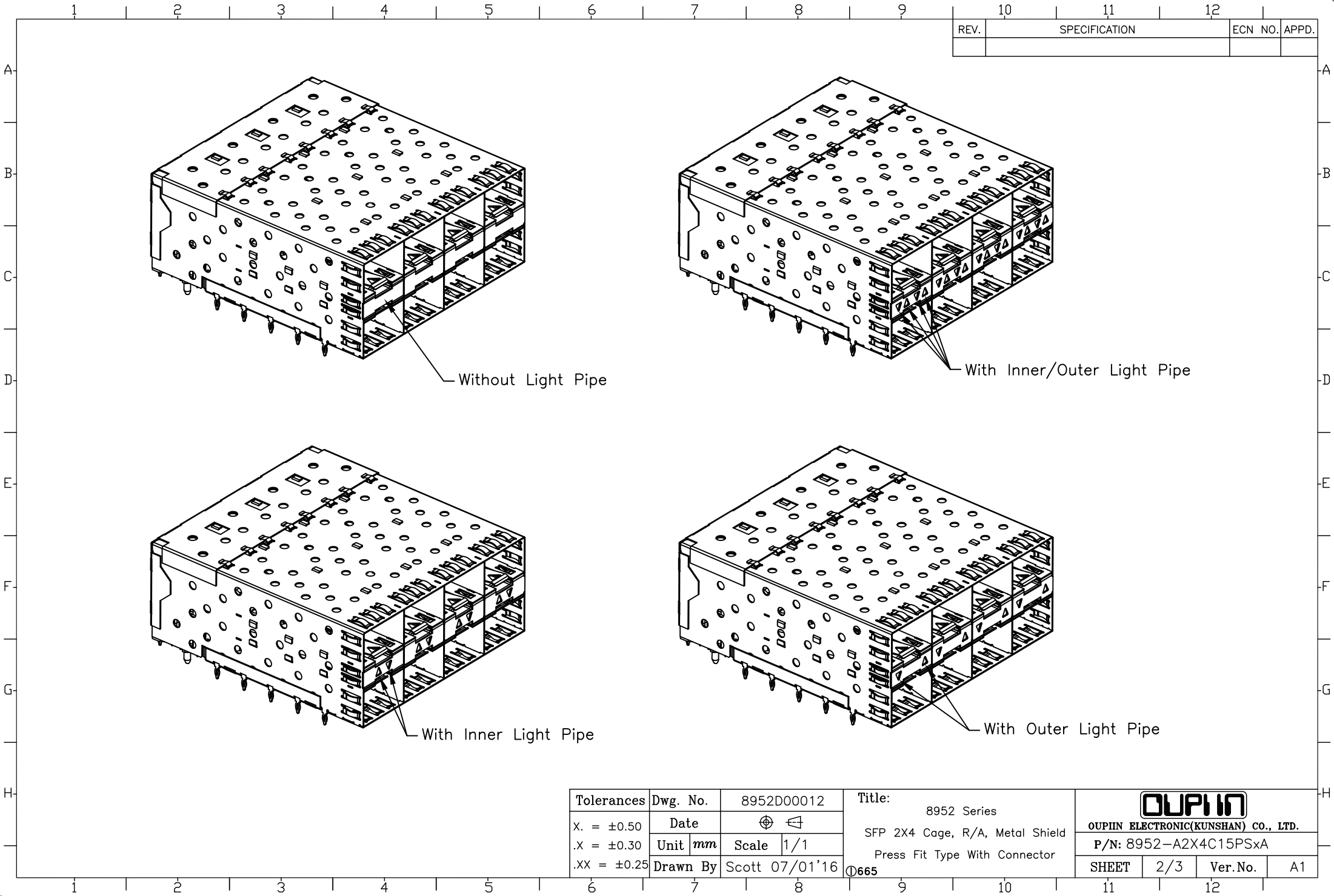


- 8952-A 2X4 C 15 P S x A
- Series
 - 2X4 Ports
 - C: Selective Gold Plated
 - 15: 15 μ"
 - 30: 30 μ"
 - A: Tray Package
 - 0: Without Light Pipes
 - 1: With Inner Light Pipes
 - 2: With Outer Light Pipes
 - 3: With Inner & Outer Light Pipes
 - S: Spring
 - P: Press Fit

Tolerances	Dwg. No.	8952D00012	
X. = ±0.50	Date	⊕ ⊖	
.X = ±0.30	Unit	mm	Scale 1/1
.XX = ±0.25	Drawn By	Scott 07/01'16	

Title: 8952 Series
 SFP 2X4 Cage, R/A, Metal Shield
 Press Fit Type With Connector
 665

OUPIN			
OUPIN ELECTRONIC(KUNSHAN) CO., LTD.			
P/N: 8952-A2X4C15PSxA			
SHEET	1/3	Ver.No.	A1




REV.	SPECIFICATION	ECN NO.	APPD.

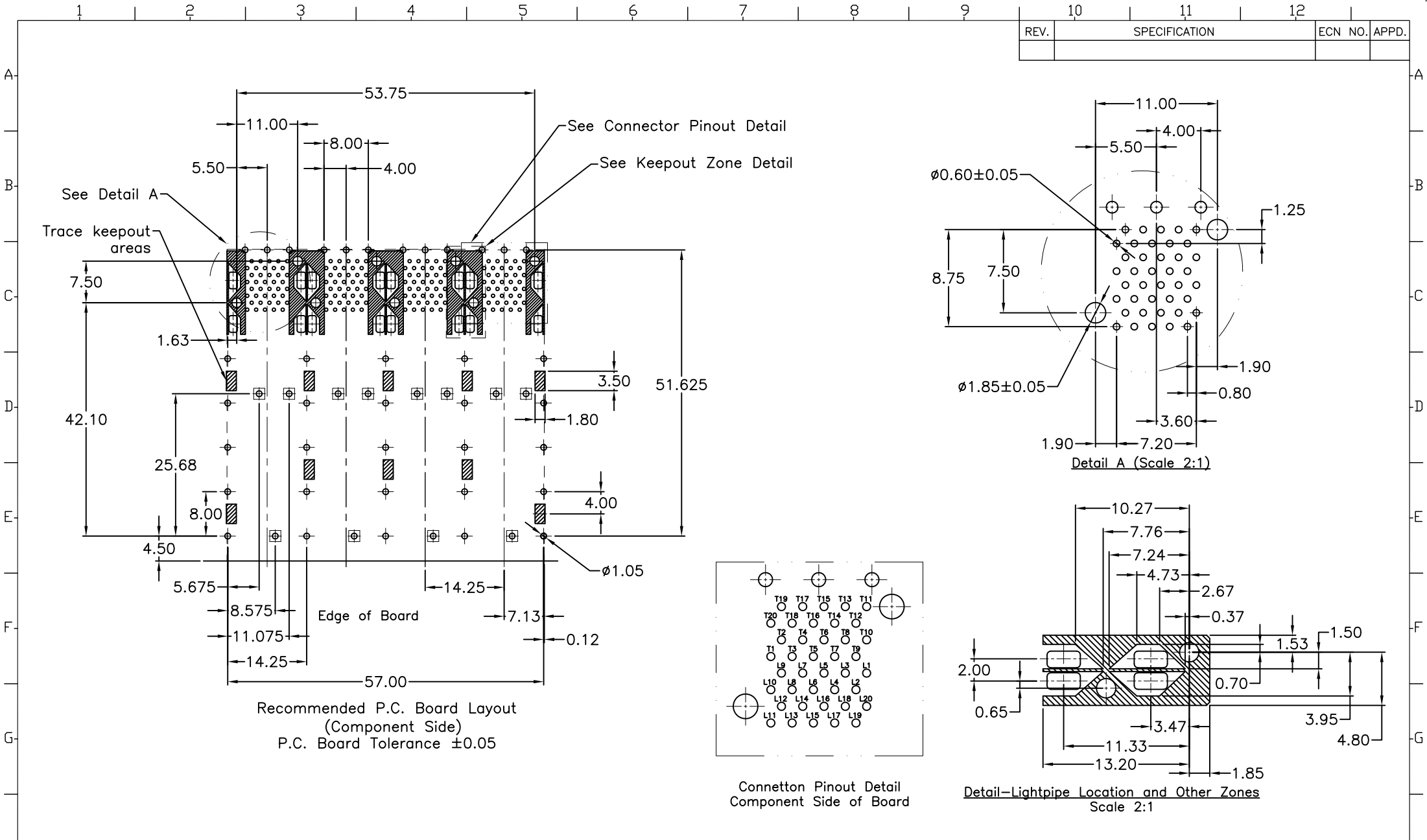
Without Light Pipe

With Inner/Outer Light Pipe

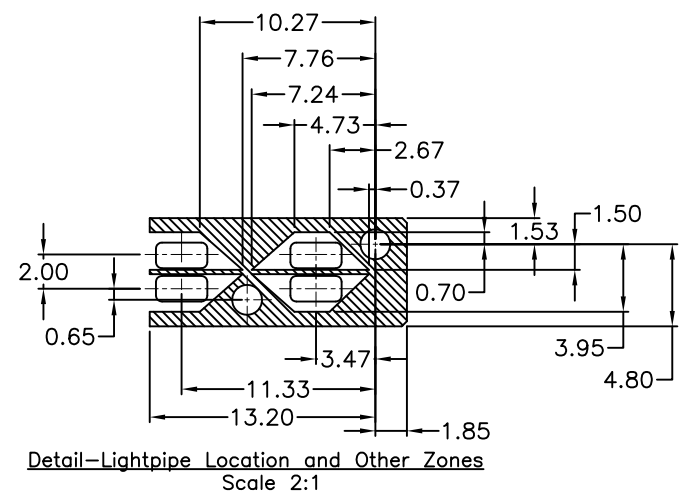
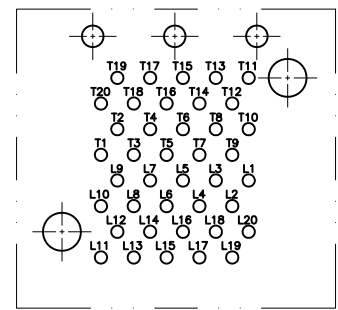
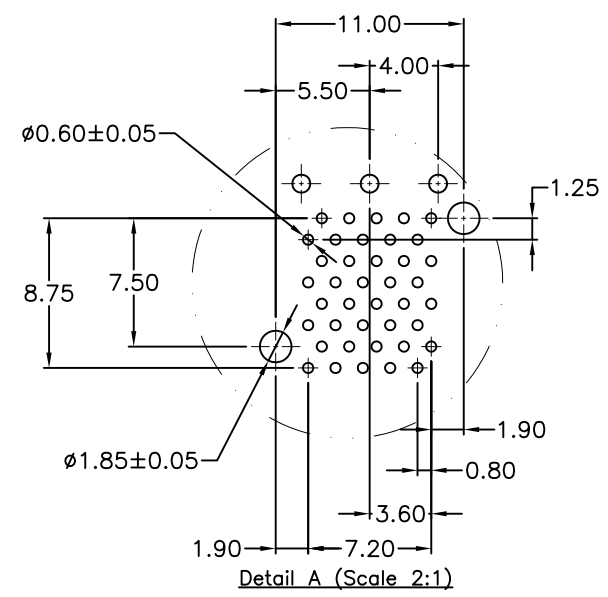
With Inner Light Pipe

With Outer Light Pipe

Tolerances	Dwg. No.	8952D00012		Title:		 OUPIIN ELECTRONIC(KUNSHAN) CO., LTD. P/N: 8952-A2X4C15PSxA	
X. = ±0.50	Date	⊕ ⊖		8952 Series			
.X = ±0.30	Unit	mm	Scale	1/1		SHEET	
.XX = ±0.25	Drawn By	Scott 07/01'16		SFP 2X4 Cage, R/A, Metal Shield		2/3	
				Press Fit Type With Connector		Ver.No.	
				①665		A1	




REV.	SPECIFICATION	ECN NO.	APPD.



Recommended P.C. Board Layout
(Component Side)
P.C. Board Tolerance ± 0.05

Connetton Pinout Detail
Component Side of Board

Detail-Lightpipe Location and Other Zones
Scale 2:1

Tolerances	Dwg. No.	8952D00012		Title:		 OUPIN ELECTRONIC(KUNSHAN) CO., LTD. P/N: 8952-A2X4C15PSxA	
X. = ± 0.50	Date	☉ ☐		8952 Series			
.X = ± 0.30	Unit	mm	Scale	SFP 2X4 Cage, R/A, Metal Shield		SHEET	
.XX = ± 0.25	Drawn By	Scott 07/01'16		Press Fit Type With Connector		3/3	
				①665		Ver.No.	
						A1	