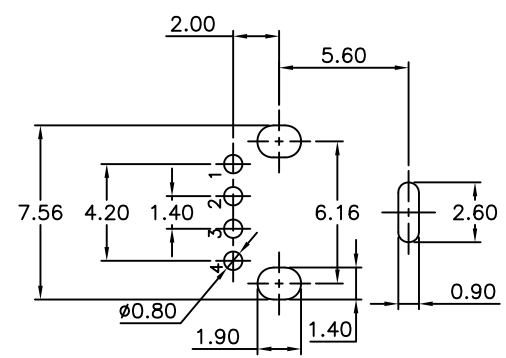
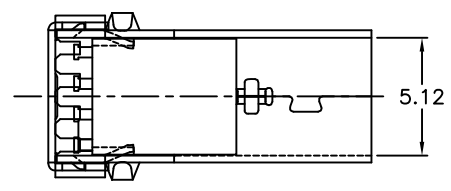
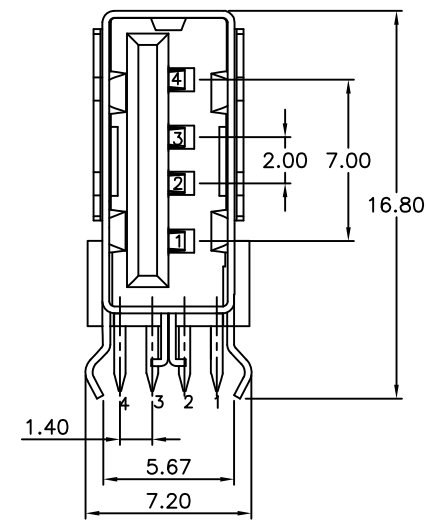
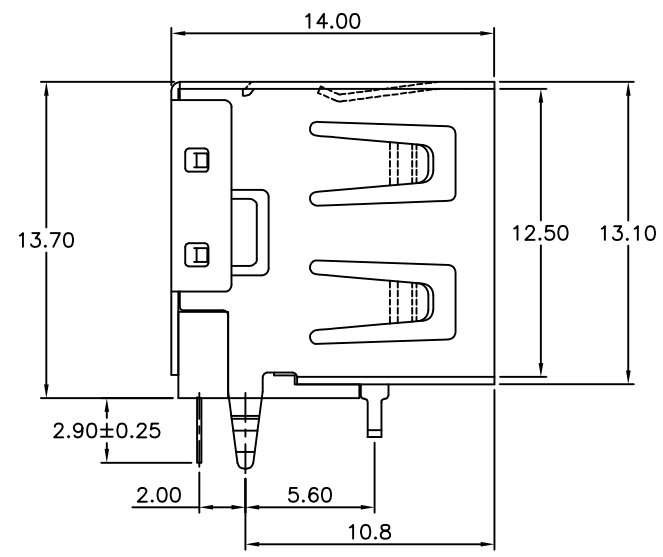


REV.	SPECIFICATION	ECN NO.	APPD.



P.C Board Layout

Material:
Housing: Thermoplastic Polyester Glass Filled UL94V-0.
Terminal: Copper Alloy.
Shell: Metal.

Electrical Characteristics:
Voltage Rating: AC/DC 30V.
Current Rating: 1.5 AMP.
Dielectric Withstanding Voltage: AC 500V for 1 minute.
Insulation Resistance: 1000MΩ min, at DC 500V.
Contact Resistance: 30mΩ max, at 100mA.
Operating Temperature: -55°C~85°C.

Mechanical Characteristics:
Mating Force: 35N max.
Unmating Force: 10N min.
Durability: 1500 Cycles.

***RoHS Compliant**

8968A-A 04 C 00 UR W 2 A
Series Position C: Selective Gold Plated 00: G/F 30: 30 μ" UR: Upright W: White B: Black 2 Type 2 A: Tray Package

Tolerances	Dwg. No.	S0220151202-02		Title:	
x. = ±0.50	Date	20151202		8968A Series USB A Vertical Female Type	
.x = ±0.30	Unit	mm	Scale		1/N T.S.
.xx = ±0.25	Drawn By	Vic Lyu			

OUPIN
OUPIN ELECTRONIC(KUNSHAN) CO., LTD.
P/N: 8968A-A04C00URW2A
609 603 S22 SHEET 1/1 Ver.No. X1