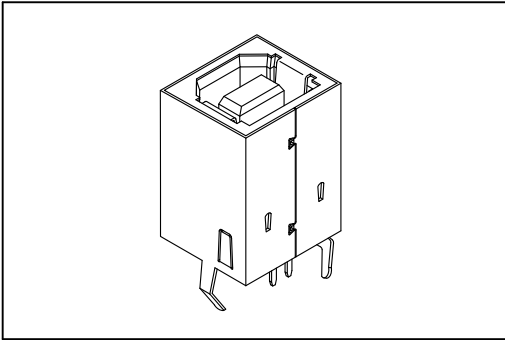


8968-B Series

USB B Type Straight Type



Material:

Housing: Thermoplastic Polyester Glass Filled UL94V-0.

Contacts: Copper Alloy.

Shell: Copper Alloy.

Electrical Characteristics:

Current Rating: 1 A.

Dielectric Withstanding Voltage: AC 500V.

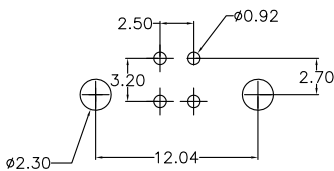
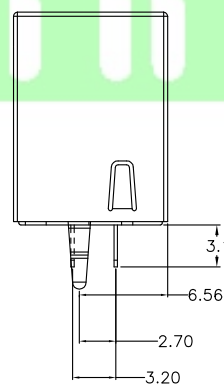
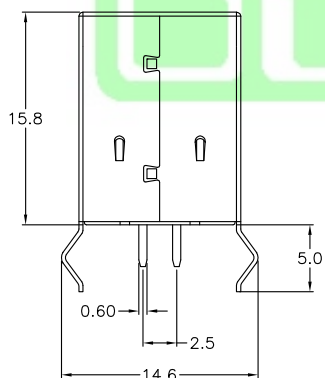
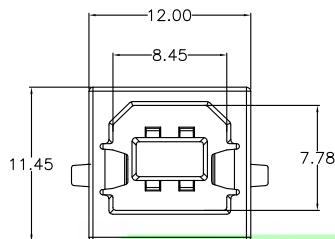
Insulator Resistance: 1000M Ω min.

Contact Resistance: 30m Ω max.

Operating Temperature: -40°C.~+105°C.

Features:

- * Compact and low profile design for saving space.
- * High reliable contact with low insertion force.
- * Straight and Right Angle Type facilitate engineering design.



P.C. Board Layout

Ordering information

8968-B
Series

04
Position

C
C: Selective Gold Plated

00
00: G/F
30: 30 μ "

S
S: Straight

W
W: White
B: Black

A
A: Tray Package