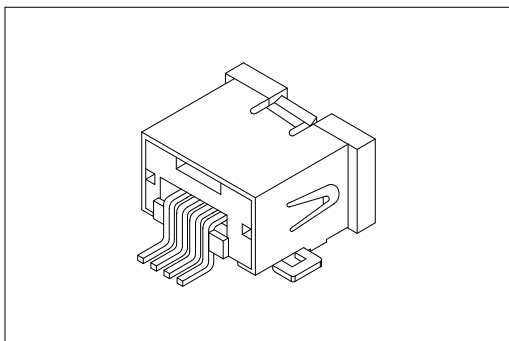


# 8969-A Series

## Mini USB A Type 4P SMD Female



### Material:

Housing: High Temperature Plastic UL94V-0.

Contacts: Copper Alloy.

Shell: Copper Alloy.

### Electrical Characteristics:

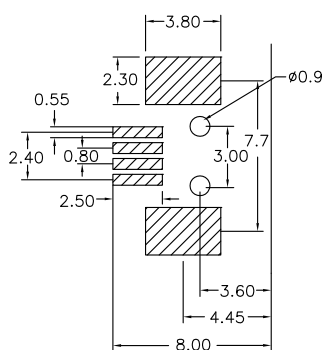
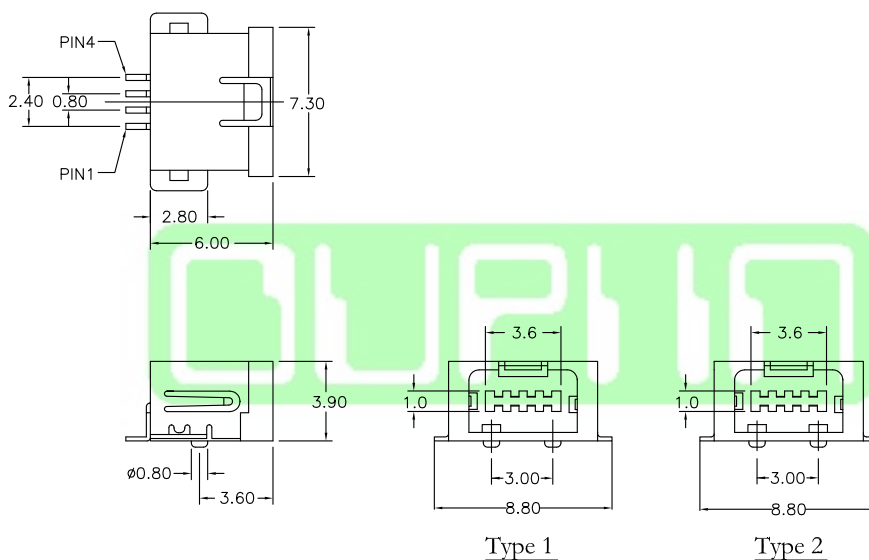
Current Rating: 1 A.

Dielectric Withstanding Voltage: AC 100V.

Insulator Resistance: 100MΩ min.

Contact Resistance: 50mΩ max.

Operating Temperature: -20°C~ +85°C.



P.C. Board Layout

## Ordering information

<u>8969-A</u>	<u>04</u>	<u>C</u>	<u>00</u>	<u>D</u>	<u>B</u>	<u>1</u>	<u>U</u>
Series	Position	C: Selective Gold Plated	00: G/F 30: 30 μ"	D: SMD Type	B: Black	1: Type 1 2: Type 2	U: Tube Package T: Tape & Reel Package

Information including designs, specifications and components may be changed or updated without notice.

A164