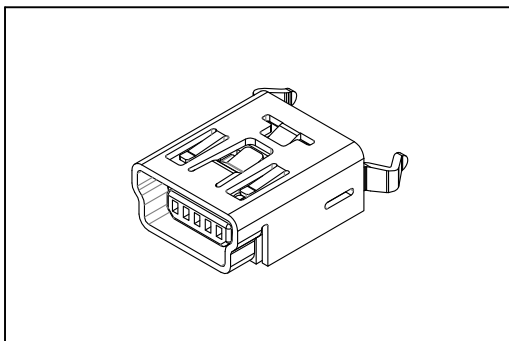


# 8969-B Series

## Mini USB B Type 5P Straight Female



### Material:

Housing: High Temperature Plastic UL94V-0.

Contacts: Copper Alloy.

Shell: Copper Alloy.

### Electrical Characteristics:

Current Rating: 1 A.

Dielectric Withstanding Voltage: AC 100V.

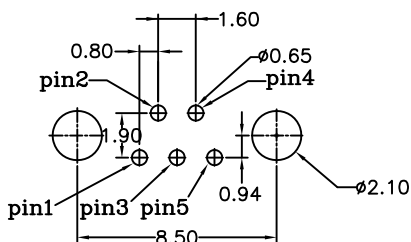
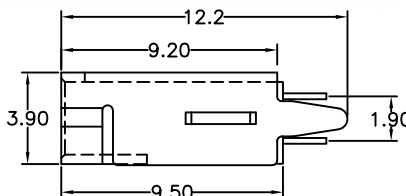
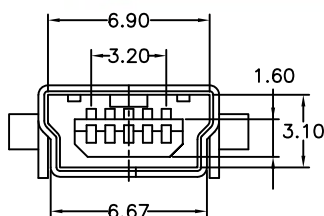
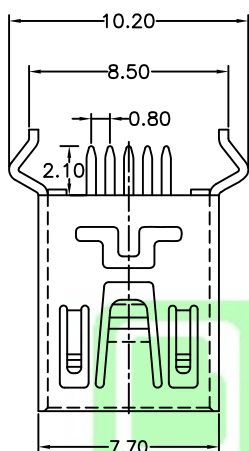
Insulator Resistance: 100MΩ min.

Contact Resistance: 50mΩ max.

Operating Temperature: -20°C~+85°C.

### Features:

\* Additional plating options available.



P.C. Board Layout

## Ordering information

<u>8969-B</u>	<u>05</u>	<u>C</u>	<u>00</u>	<u>S</u>	<u>B</u>	<u>A</u>
Series	Position	C: Selective Gold Plated	00: G/F	S: Straight Type	B: Black	A: Tray Package