

REV.	SPECIFICATION	ECN NO.	APPD.

A  
B  
C  
D  
E  
F  
G  
H

A  
B  
C  
D  
E  
F  
G  
H

**Material:**

Housing: LCP, UL94V-0.

Contacts: Phosphor Bronze, Gold Plated over Nickel.

Shell: SUS, Tin Plated.

**Electrical Characteristics:**

Current Rating: 1.0 AMP.

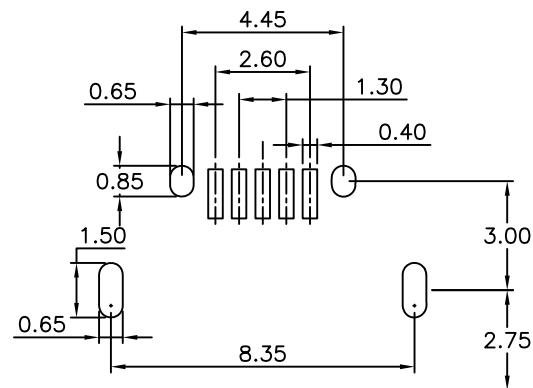
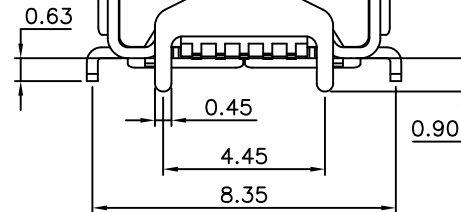
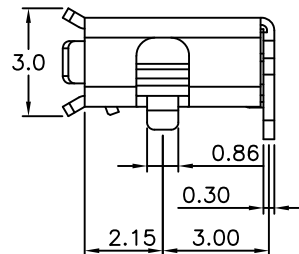
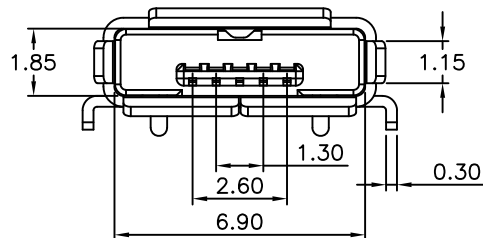
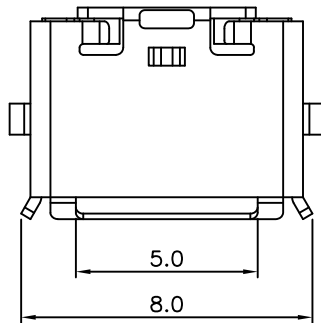
Dielectric Withstanding Voltage: 100V for 1 minute.

Insulator Resistance: 100MΩ min.

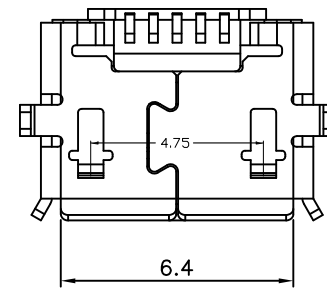
Contact Resistance: 30mΩ max.

Operating Temperature: -30°C~+80°C.

**\*RoHS Compliant.**



P.C.Board Layout



8971- AB 05 G 00 D N 15 T  
 Series Style Position G: Gold Plated 00: G/F D: SMD Type N: W/O Post Type 15 T: Tape & Reel Package

Tolerances X. = ±0.50 .X = ±0.30 .XX = ±0.25	Dwg No.	8971D02007		Title: 8971 Series Micro USB AB Type SMD Reverse	 OUPIIN ELECTRONIC(KUNSHAN) CO., LTD. P/N: 8971-AB05G00DN15T			
	Projection							
	Unit	mm	Scale		1/1	SHEET	1/1	Ver. No.
Drawn By	Scott 05/26'16			⑥54				