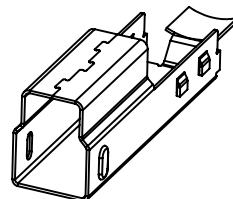
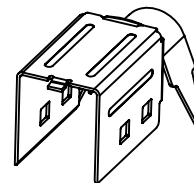


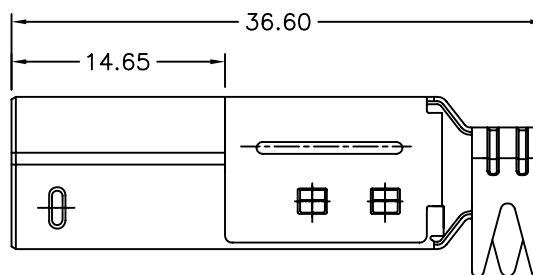
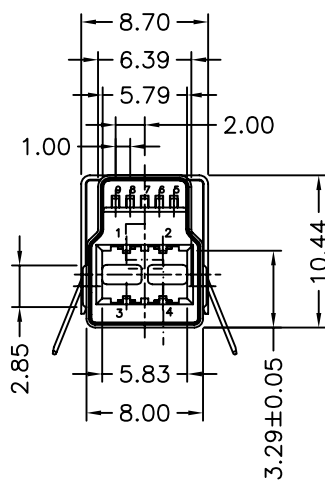
Connector



Bottom Cover



Top Cover



8972-B 09 C 30 U M1 A  
 Series Position C: Selective 30: 30 u" U: Blue M1:M1 Type A: Tray Package  
 Gold Plated

REV.	SPECIFICATION	ECN NO.	APPD.

**Material:**

Housing: Thermoplastic Polyester Glass Filled UL94V-0,Blue.

Back Cover: High Temperature Plastic UL94V-0.

Contacts: Copper Alloy.

Shell: SPCC.

**Electrical Characteristics:**

Current Rating: 1.8A(Only Pin1 and Pin4).  
 0.25A(For Other Pin).

Dielectric Withstanding Voltage : 100V AC min.

Insulation Resistance: 100MΩ Min.

Contact Resistance: 50mΩ max.

Operating Temperature: -55°C~ +85°C.

**\*RoHS Compliant**

Pin Number	Signal Name
1	VBUS
2	D-
3	D+
4	GND
5	StdB_SSTX-
6	StdB_SSTX+
7	GND-DRAIN
8	StdB_SSRX-
9	StdB_SSRX+

<b>Tolerances</b> x = ±0.5 .x = ±0.38 .xx = ±0.25	<b>Dwg. No.</b>	8972D02007	<b>Title:</b> 8972 Series USB 3.0 Solder Plug B Type ①705	 OUPIIN ELECTRONIC(KUNSHAN) CO., LTD. P/N: 8972-B09C30UM1A			
	<b>Projection</b>						
	<b>Unit</b>	mm		<b>Scale</b>	1:1	<b>SHEET</b>	1/1
<b>Drawn By</b>	CQ	04/02'14					