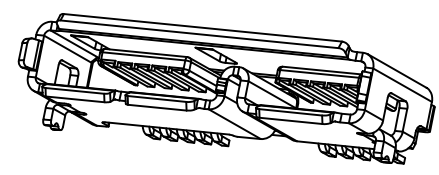
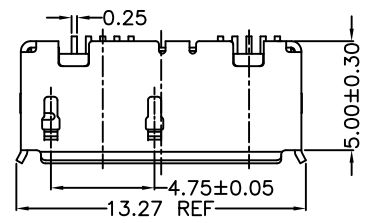


REV.	SPECIFICATION	ECN NO.	APPD.



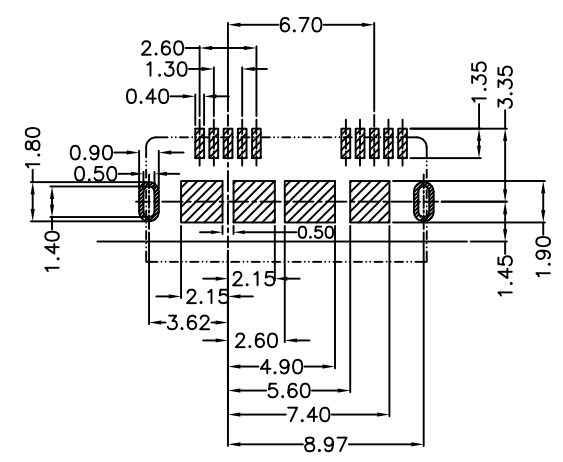
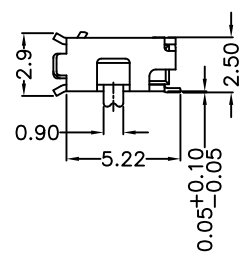
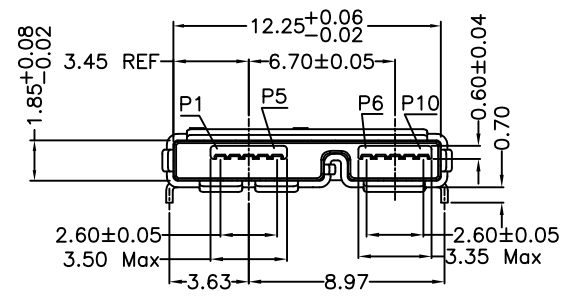
Material:

Housing: High Temperature Plastic UL94V-0.
 Contacts: Copper Alloy.
 Shell: Metal.

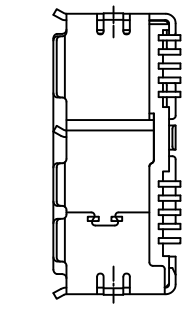
Electrical Characteristics:

Current Rating: 1.8 A(Only Pin1,5); 0.25A For Other Pin.
 Dielectric Withstanding Voltage : AC 100V For 1 minute
 Insulator Resistance: 100MΩ min.
 Contact Resistance: 50mΩ Max.
 Operating Temperature: -40°C~ +85°C.

***RoHS Compliant**



P.C. Board Layout



8973-AB 10 G 30 D2 T
 Series Position G: Gold Plated 30: 30 u" D2: SMD Post Dip T: Tape & Reel Package

Pin Number	Signal Name
1	VBUS
2	D-
3	D+
4	ID
5	GND
6	MicA_SSTX-
7	MicA_SSTX+
8	GND_DRAIN
9	MicA_SSRX-
10	MicA_SSRX+

Tolerances	Drawn No.	8973D02004	Title:
x = ±0.5	Projection		8973 Series Micro USB 3.0 AB Type
.x = ±0.35	Unit	mm	
.xx = ±0.25	Scale	1:1	
	Drawn By	Lupa 12/23'10	①0705

OUPIN			
OUPIN ELECTRONIC(KUNSHAN) CO., LTD.			
P/N: 8973-AB10G30D2T			
SHEET	1/1	Ver.No.	A1