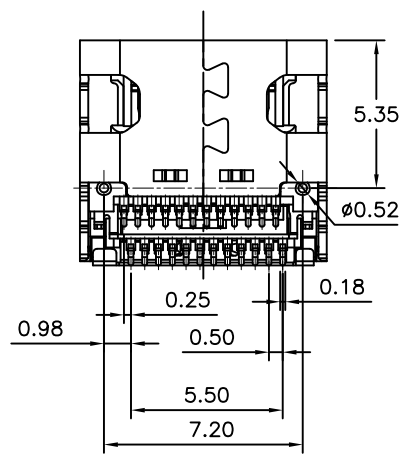
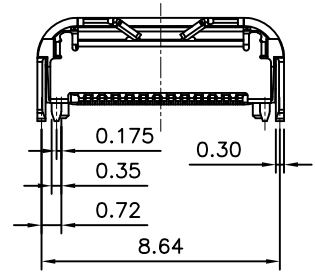
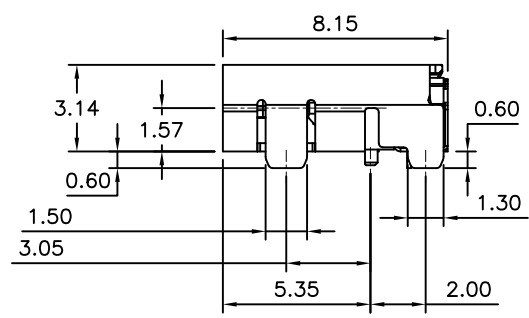
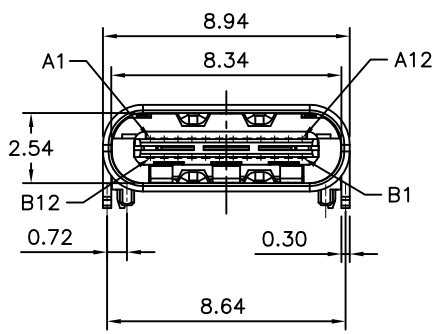
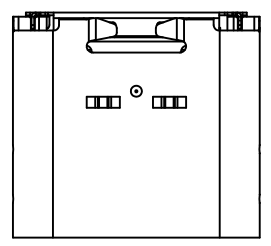


REV.	SPECIFICATION	ECN NO.	APPD.

A  
B  
C  
D  
E  
F  
G  
H

A  
B  
C  
D  
E  
F  
G  
H



**Material:**  
 Housing: High Temperature Plastic UL94V-0.  
 Contacts: Copper Alloy.  
 Shell: Metal.

**Electrical Characteristics:**  
 Current Rating: 5.0A for VBUS and GND.  
 (i.e., Pins A4,A9,B4,B9)  
 1.25A for Vconn and GND.  
 (i.e., Pins B5,A1,A12,B1,B12)  
 0.25A for all the others contacts.

Dielectric Withstanding Voltage: AC 100V min.  
 Insulator Resistance: 100MΩ min. at DC 250V.  
 Contact Resistance: 40mΩ max.  
 Operating Temperature: -55°C~+85°C.

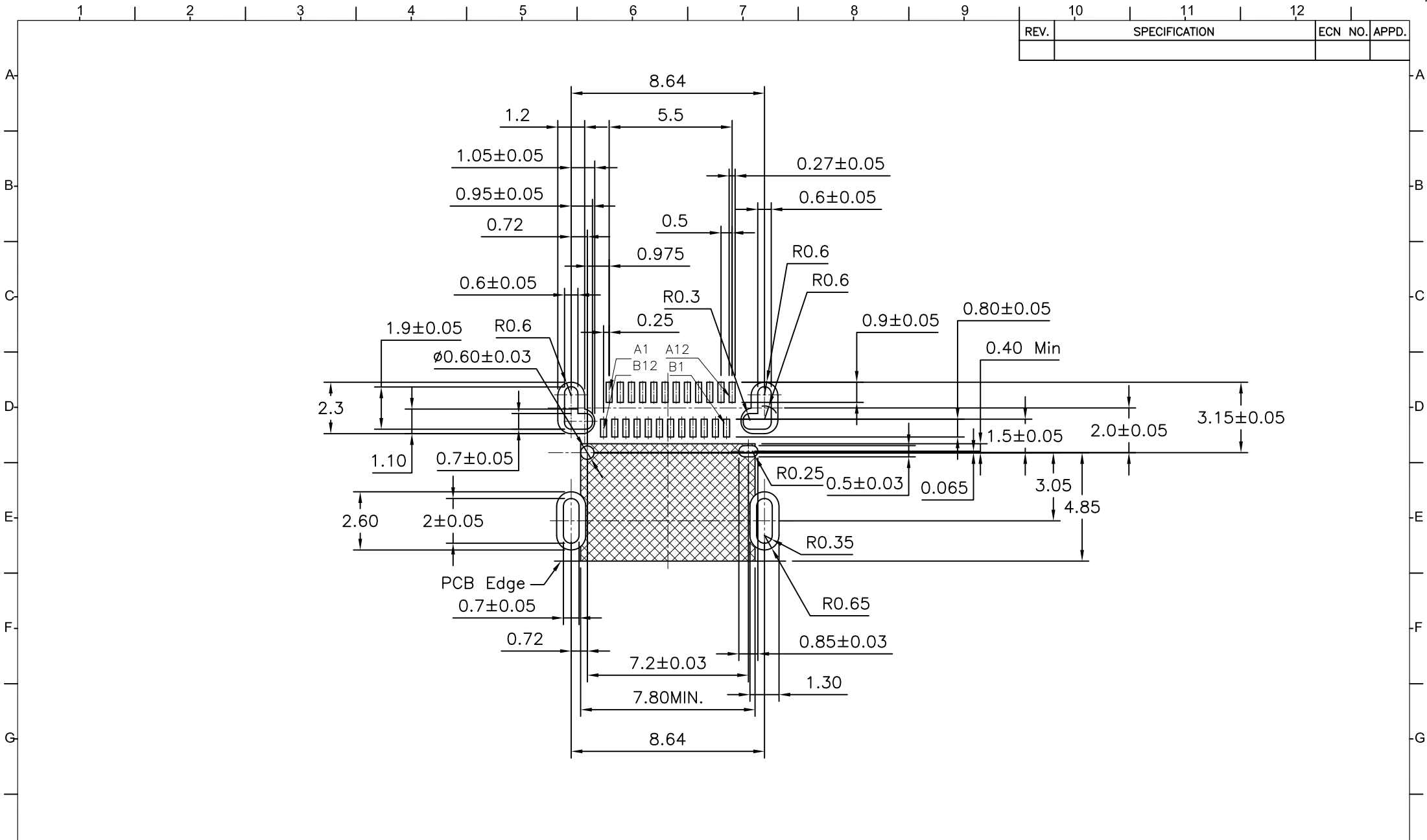
**Mechanical Characteristics:**  
 Insertion Force: 5N~20N.  
 Extraction Force: 8N~20N.  
 Durability: 10,000 Cycles.  
**\*RoHS Compliant.**  
 Speed: 10Gbps.

**8975-C**   **24**   **Cxx**   **D**   **B**   **1**   **P**   **T**  
 Series   Position   C00: Selective Gold Plated Gold Flash   D: SMD Type   B: Black   Type 1   P: With Post   T: Tape & Reel Package  
 C30: Selective Gold Plated 30μ"

Tolerances	Dwg No.	8975D02003		Title:		
.X = ±0.30	Projection	⊕ ⊞		8975 Series USB 3.1 C Type Receptacle SMD		
.XX = ±0.20	Unit	mm	Scale			1:1
.XXX = ±0.15	Drawn By	Scott 09/08'16				① 661

8975 Series  
 USB 3.1 C Type  
 Receptacle SMD

<b>OUPIN</b>			
OUPIN ELECTRONIC(KUNSHAN) CO., LTD.			
P/N: 8975-C24C30DB1PT			
SHEET	1/2	Ver. No.	A4



REV.	SPECIFICATION	ECN NO.	APPD.

Tolerances	Dwg No.	8975D02003		Title:	
.X = ±0.30	Projection	⊕ ↙		8975 Series	
.XX = ±0.20	Unit	mm	Scale	USB 3.1 C Type	
.XXX = ±0.15	Drawn By	Scott	09/08'16	Receptacle SMD	

① 661
-------

<b>OUPIN</b>			
OUPIN ELECTRONIC(KUNSHAN) CO., LTD.			
P/N: 8975-C24C30DB1PT			
SHEET	2/2	Ver. No.	A4