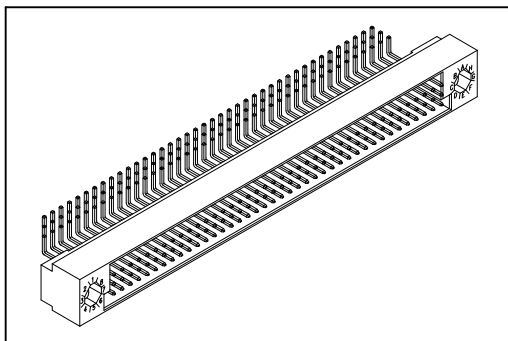


# 9001 Series

## DIN41612 R Type 150P Male



### Material:

Housing: High Temperature Plastic UL94V-0.

Contacts: Copper Alloy.

### Electrical Characteristics:

Current Rating: 2 A.

Dielectric Withstanding Voltage: AC 1000V.

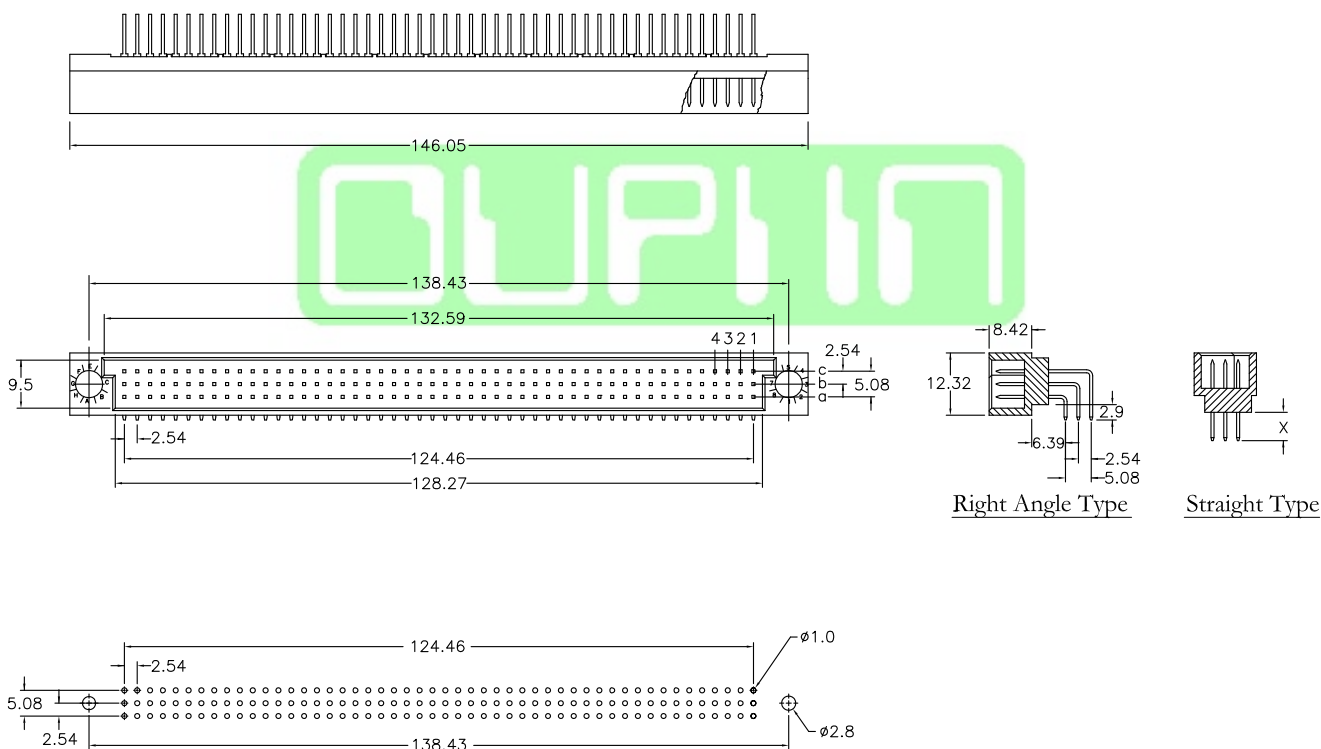
Insulator Resistance: 1000MΩ min.

Contact Resistance: 20mΩ max.

Operating Temperature: -55°C~+125°C.

### Features:

- \* Mates with Female 3Row 9001-141501C



P.C. Board Layout

Dip Length	1	2
Male R/A	2.9	-
Male /STR	4.0	2.5

## Ordering information

9001- 1 3 150 1 C 00 A  
 Series 1: 2.54mm 1: Male R/A Position 1: Dip Length C: Selective Gold Plated 00: G/F A: Tray Package  
 3: Male /STR 2: Dip Length