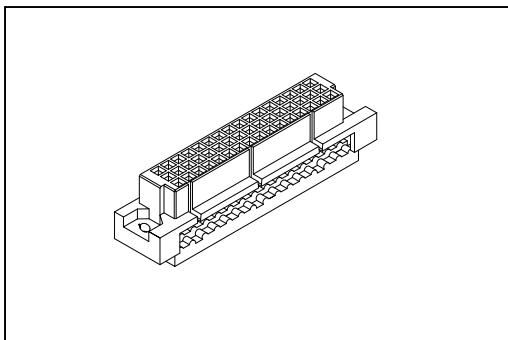


9001 Series

DIN41612 I.D.C. Type 3 Rows Female



Material:

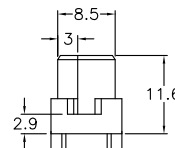
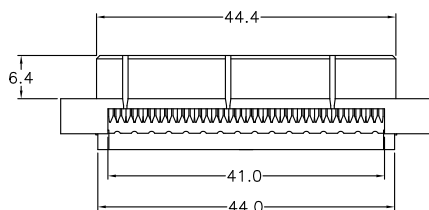
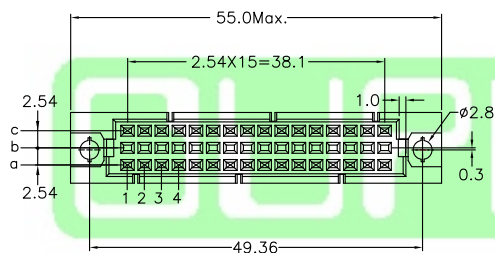
Housing: Thermoplastic Polyester Glass Filled UL94V-0.
 Contacts: Copper Alloy.

Electrical Characteristics:

Current Rating: 2 A.
 Dielectric Withstanding Voltage: AC 1000V.
 Insulator Resistance: 1000MΩ min.
 Contact Resistance: 20mΩ max.
 Operating Temperature: -55°C ~+125°C.

Features:

- * Mates with Male 3Row
 9001-1532, Half C Type.
 9001-1732, Half R Type.



Ordering information

<u>9001-</u>	<u>1</u>	<u>6</u>	<u>32</u>	<u>IDC</u>	<u>00</u>	<u>A</u>
Series	1: 3Row Insulators For 1.27 Cable	6: Female	Position		00: G/F	A: Tray Package