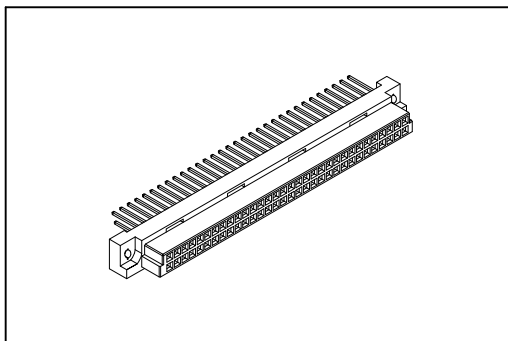


# 9001 Series

## DIN41612 B Type Female



### Material:

Housing: Thermoplastic Polyester Glass Filled UL94V-0.

Contacts: Copper Alloy.

### Electrical Characteristics:

Current Rating: 2 A.

Dielectric Withstanding Voltage: AC 1000V .

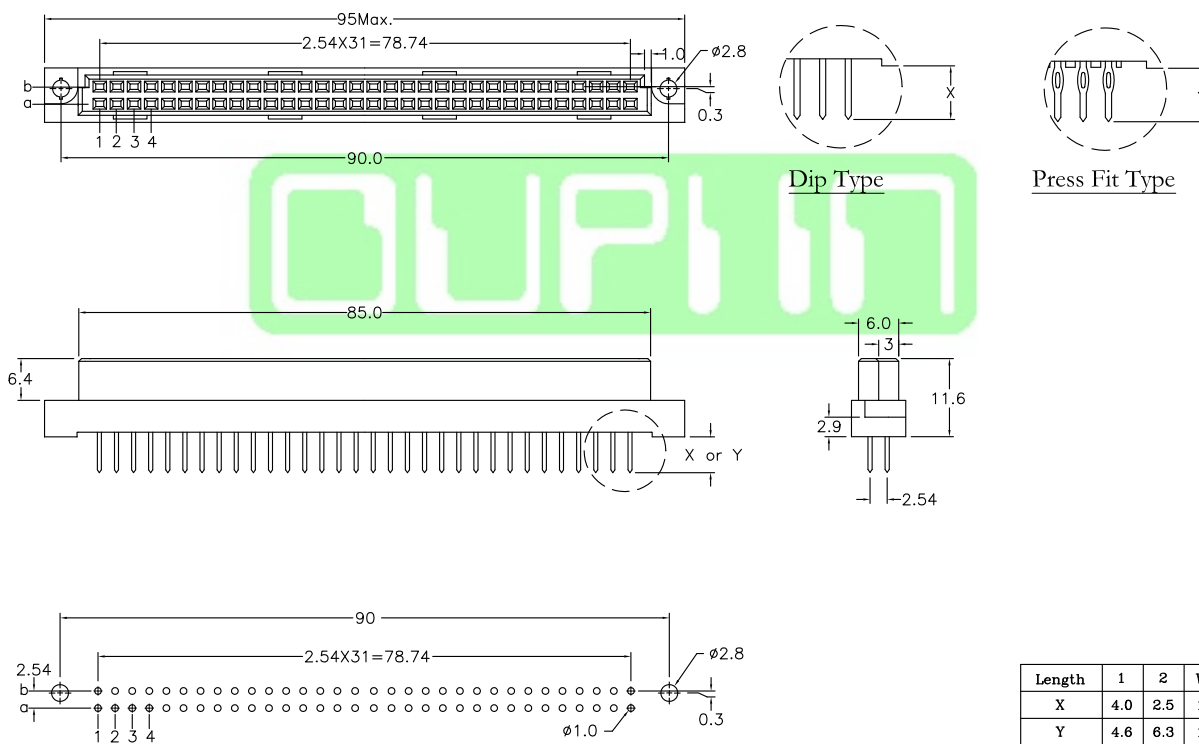
Insulator Resistance: 1000MΩ min.

Contact Resistance: 20mΩ max.

Operating Temperature: -55°C ~+125°C.

### Features:

- \* Mates with Male 2Row
- 9001-3164,3132 B Type.
- 9001-3364,3332 Q Type.



P.C. Board Layout

Length	1	2	W1	W2
X	4.0	2.5	13	17
Y	4.6	6.3	13	17
Pitch	Position	Rows with Contacts	Contact Arrange	
2.54mm	64	a b		
	32	a -		
5.08mm	32	a b		
	16	a -		

## Ordering information

<b>9001-</b>	<b>3</b>	<b>2</b>	<b>64</b>	<b>1</b>	<b>C</b>	<b>00</b>	<b>P</b>	<b>L1</b>	<b>A</b>
Series	3: 2.54mm 4: 5.08mm	2: Female	Position	1: Dip Length 2: Dip Length W1: Dip Length W2: Dip Length	C: Selective Gold Plated	00: G/F	Blank: Dip P: Press Fit	Blank: W/O Lock L1: With Lock See Page CA03	A: Tray Package

# 9001 Series

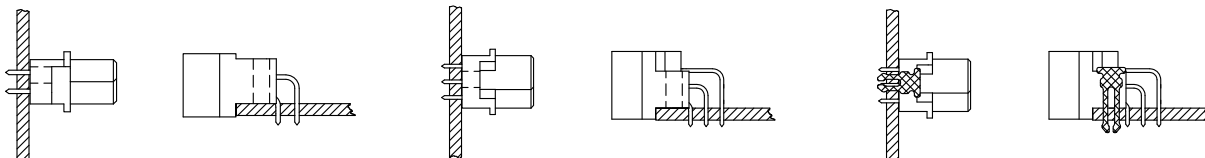
## DIN41612 Mating Introduce



2 Row insulator  
B (Standard mounting)  
Mounting axis  
of the connector

3 Row insulator  
C (Standard mounting)  
Mounting axis  
of the connector

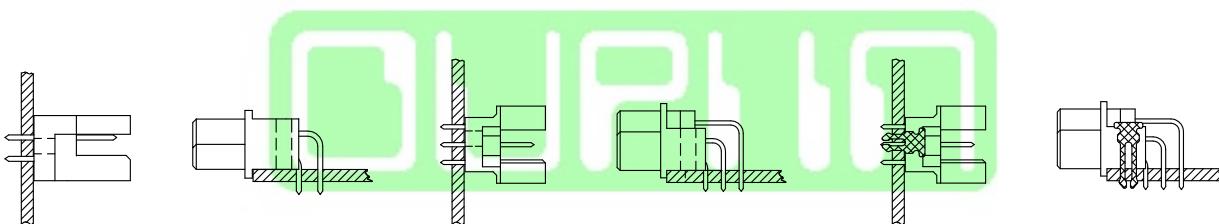
Board lock available  
L1=P.C.B. Thickness 1.6 ~2.0 mm  
L2=P.C.B. Thickness 2.8 ~3.2 mm



Q (Reverse mounting)  
Mounting axis  
of the connector

R (Reverse mounting)  
Mounting axis  
of the connector

Board lock available  
L1=P.C.B. Thickness 1.6 ~2.0 mm  
L2=P.C.B. Thickness 2.8 ~3.2 mm



I.D.C. Type Ribbon Cable

Press Fit Type  
2 Row insulator

3 Row insulator

2 Row insulator

3 Row insulator

