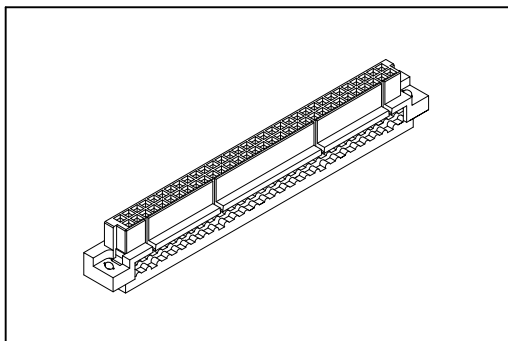


# 9001 Series

## DIN41612 I.D.C. Type 2 Rows Female



### Material:

Housing: Thermoplastic Polyester Glass Filled UL94V-0.

Contacts: Copper Alloy.

### Electrical Characteristics:

Current Rating: 2 A.

Dielectric Withstanding Voltage: AC 1000V.

Insulator Resistance: 1000MΩ min.

Contact Resistance: 20mΩ max.

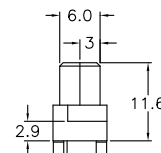
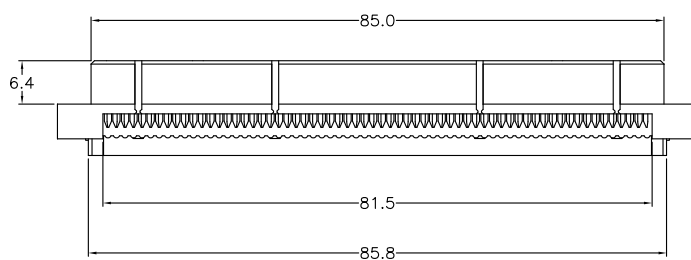
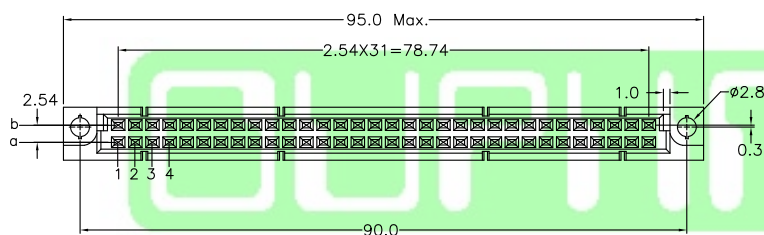
Operating Temperature: -55°C~+125°C.

### Features:

\* Mates with Male 2Row

9001-3164, B Type.

9001-3364, Q Type.



## Ordering information

9001-	<u>3</u>	<u>2</u>	<u>64</u>	<u>IDC</u>	<u>00</u>	<u>A</u>
Series	3: 2Row Insulators For 1.27 Cable	2: Female	Position		00: G/F	A: Tray Package