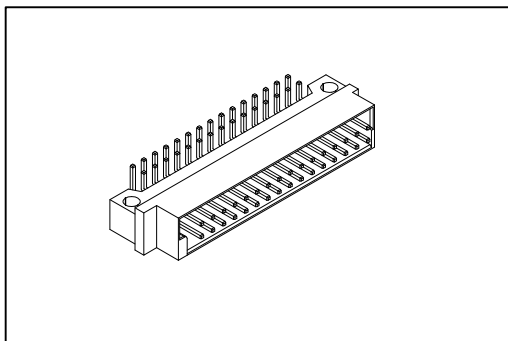


9001 Series

DIN41612 Half B Type Male



Material:

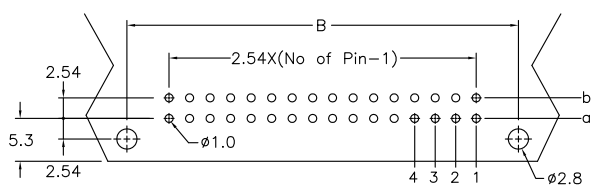
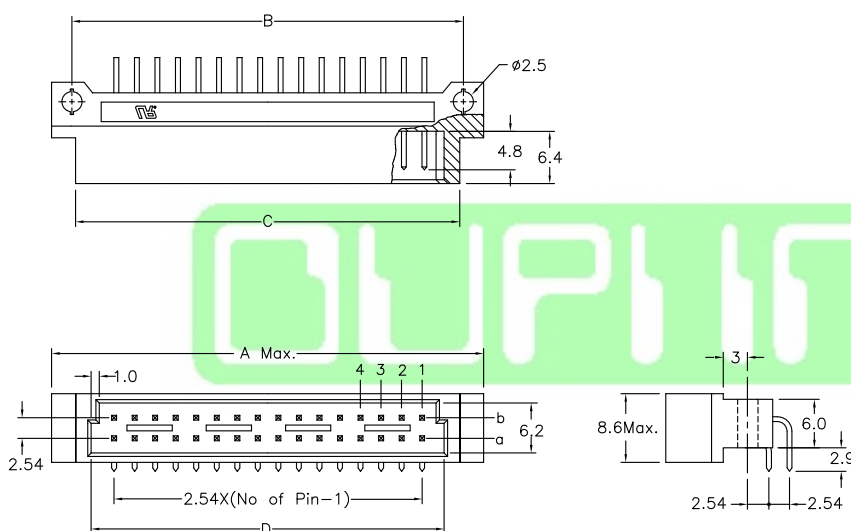
Housing: Thermoplastic Polyester Glass Filled UL94V-0.
 Contacts: Copper Alloy.

Electrical Characteristics:

Current Rating: 2 A.
 Dielectric Withstanding Voltage: AC 1000V.
 Insulator Resistance: 1000MΩ min.
 Contact Resistance: 20mΩ max.
 Operating Temperature: -55°C ~ +125°C.

Features:

- * Mates with Female 2Row Half
 9001-36 Half B Type.
 9001-38 Half Q Type.



P.C. Board Layout

Dimension				
Position	A	B	C	D
32/16/8	54.00	48.26	47.40	44.60
20/10/5	38.04	33.02	31.80	29.40
Pitch	Position	Rows with Contacts	Contact Arrange	
2.54mm	32	a b		
	20	a b		
	16	a -		
5.08mm	10	a -		
	16	a b		
	10	a b		
	8	a -		
5	a -			

Ordering information

9001- Series
 3 3: 2.54mm
 4: 5.08mm
 5 5: Male
 32 Position
 1 1: Dip Length
 C C: Selective Gold Plated
 00 00: G/F
 L1 L1: With Lock
 Blank: W/O Lock
 See Page CA03
 A A: Tray Package

9001 Series

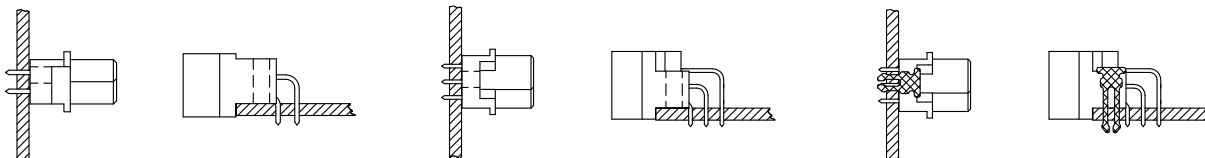
DIN41612 Mating Introduce



2 Row insulator
B (Standard mounting)
Mounting axis
of the connector

3 Row insulator
C (Standard mounting)
Mounting axis
of the connector

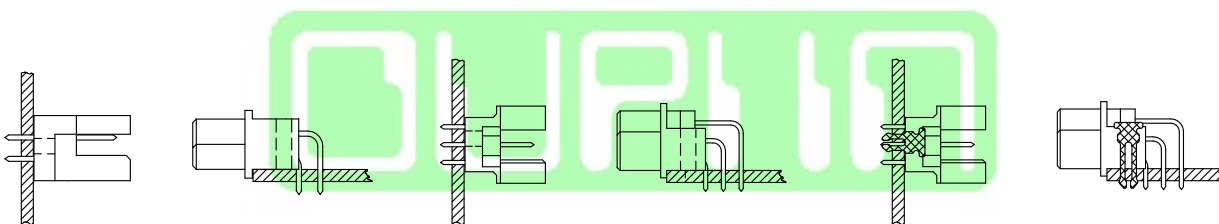
Board lock available
L1=P.C.B. Thickness 1.6 ~2.0 mm
L2=P.C.B. Thickness 2.8 ~3.2 mm



Q (Reverse mounting)
Mounting axis
of the connector

R (Reverse mounting)
Mounting axis
of the connector

Board lock available
L1=P.C.B. Thickness 1.6 ~2.0 mm
L2=P.C.B. Thickness 2.8 ~3.2 mm



I.D.C. Type Ribbon Cable

Press Fit Type
2 Row insulator

3 Row insulator

2 Row insulator

3 Row insulator

