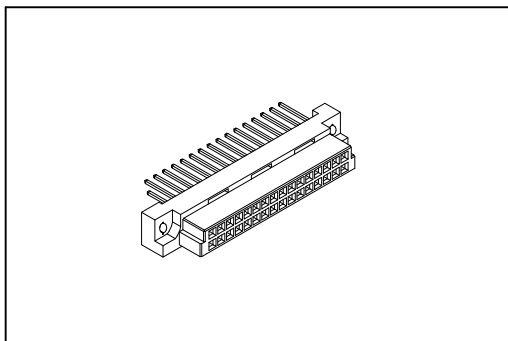


9001 Series

DIN41612 Half B Type Female



Material:

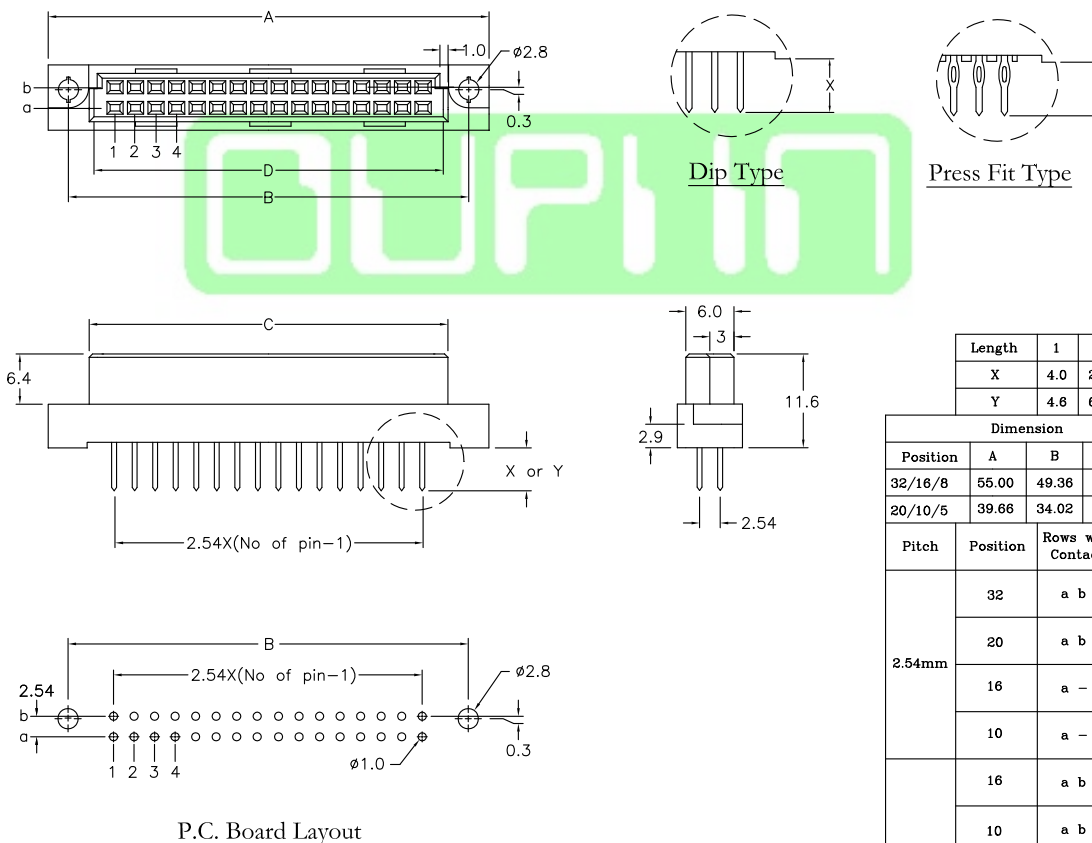
Housing: Thermoplastic Polyester Glass Filled UL94V-0.
 Contacts: Copper Alloy.

Electrical Characteristics:

Current Rating: 2 A.
 Dielectric Withstanding Voltage: AC 1000V.
 Insulator Resistance: 1000MΩ min.
 Contact Resistance: 20mΩ max.
 Operating Temperature: -55°C ~+125°C.

Features:

- * Mates with Male 2Row Half
 9001-37 Half Q Type.
 9001-35 Half B Type.



Dip Type

Press Fit Type

P.C. Board Layout

Length	1	2	W1	W2
X	4.0	2.5	13	17
Y	4.6	6.3	13	17

Dimension				
Position	A	B	C	D
32/16/8	55.00	49.36	44.40	43.50
20/10/5	39.66	34.02	29.10	27.86

Pitch	Position	Rows with Contacts	Contact Arrange
2.54mm	32	a b	$\begin{matrix} b-[-] \\ a-[-] \\ 1\ 2\ 3\ 4 \end{matrix}$
	20	a b	$\begin{matrix} b-[-] \\ a-[-] \\ 1\ 2\ 3\ 4 \end{matrix}$
	16	a -	$\begin{matrix} b-[-] \\ a-[-] \\ 1\ 2\ 3\ 4 \end{matrix}$
5.08mm	16	a b	$\begin{matrix} b-[-] \\ a-[-] \\ 1\ 2\ 3\ 4 \end{matrix}$
	10	a b	$\begin{matrix} b-[-] \\ a-[-] \\ 1\ 2\ 3\ 4 \end{matrix}$
	8	a -	$\begin{matrix} b-[-] \\ a-[-] \\ 1\ 2\ 3\ 4 \end{matrix}$
	5	a -	$\begin{matrix} b-[-] \\ a-[-] \\ 1\ 2\ 3\ 4 \end{matrix}$

Ordering information

9001- 3 6 32 1 C 00 P L1 A
 Series 3: 2.54mm 6: Female Position 1: Dip Length C: Selective Gold 00: G/F P: Blank: Dip L1: With Lock A: Tray
 4: 5.08mm 2: Dip Length Plated 2: Dip Length 1: With Lock Package
 W1: Dip Length W2: Dip Length See Page CA03

9001 Series

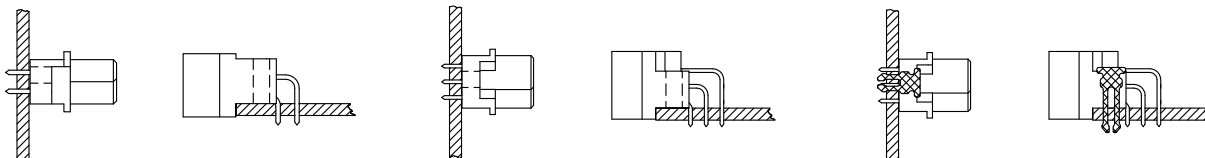
DIN41612 Mating Introduce



2 Row insulator
B (Standard mounting)
Mounting axis
of the connector

3 Row insulator
C (Standard mounting)
Mounting axis
of the connector

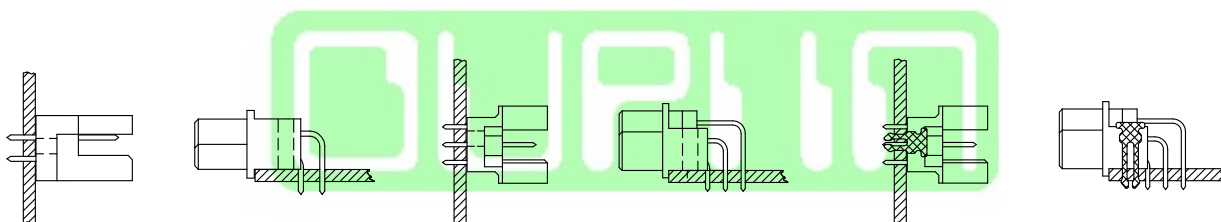
Board lock available
L1=P.C.B. Thickness 1.6 ~2.0 mm
L2=P.C.B. Thickness 2.8 ~3.2 mm



Q (Reverse mounting)
Mounting axis
of the connector

R (Reverse mounting)
Mounting axis
of the connector

Board lock available
L1=P.C.B. Thickness 1.6 ~2.0 mm
L2=P.C.B. Thickness 2.8 ~3.2 mm



I.D.C. Type Ribbon Cable

Press Fit Type
2 Row insulator

3 Row insulator

2 Row insulator

3 Row insulator

