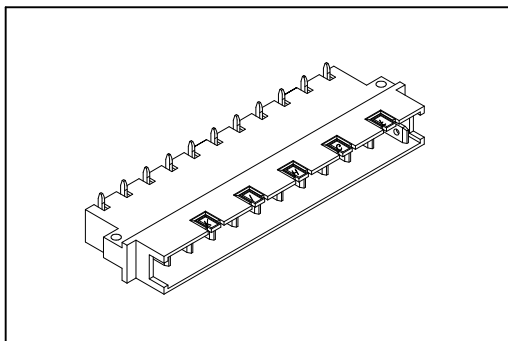


9001 Series

DIN41612 H11 Type Male



Material:

Housing: Thermoplastic Polyester Glass Filled UL94V-0

Contacts: Copper Alloy.

Electrical Characteristics:

Current Rating: 15 A @20°C.

Dielectric Withstanding Voltage: AC 3100V.

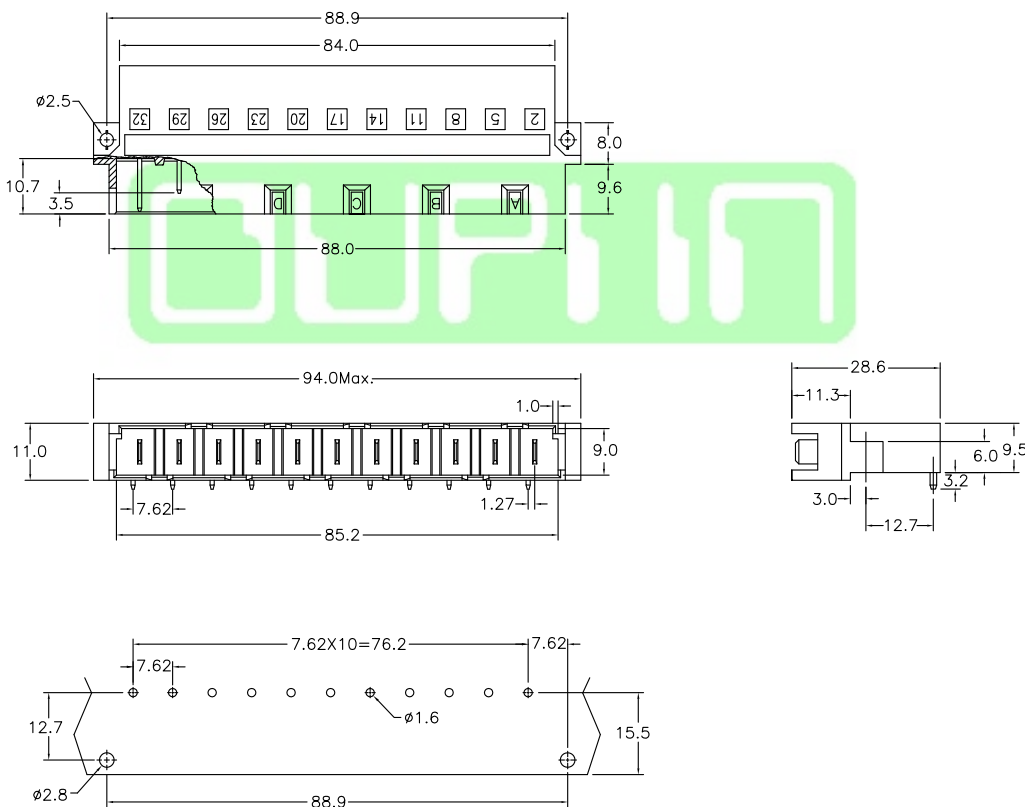
Insulator Resistance: 1000MΩ min.

Contact Resistance: 8mΩ max.

Operating Temperature: -55°C~+125°C.

Features:

- * Power Connectors.
- * Mates with H11 Female



P.C. Board Layout

Ordering information

9001- 5 1 11 1 T A
 Series 1: Male Position 1: Z32 Premating 3.5mm T: Tin Plating A: Tray Package

* Additional premating are available upon request, please consult factory.