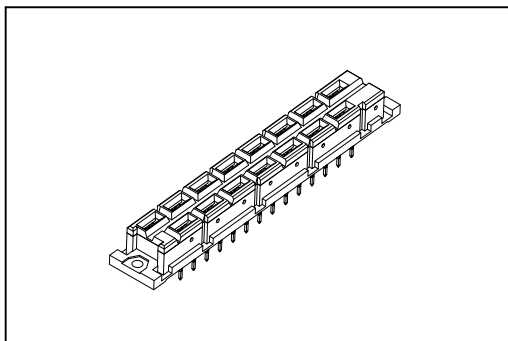


9001 Series

DIN41612 H15 Press Fit Type Female



Material:

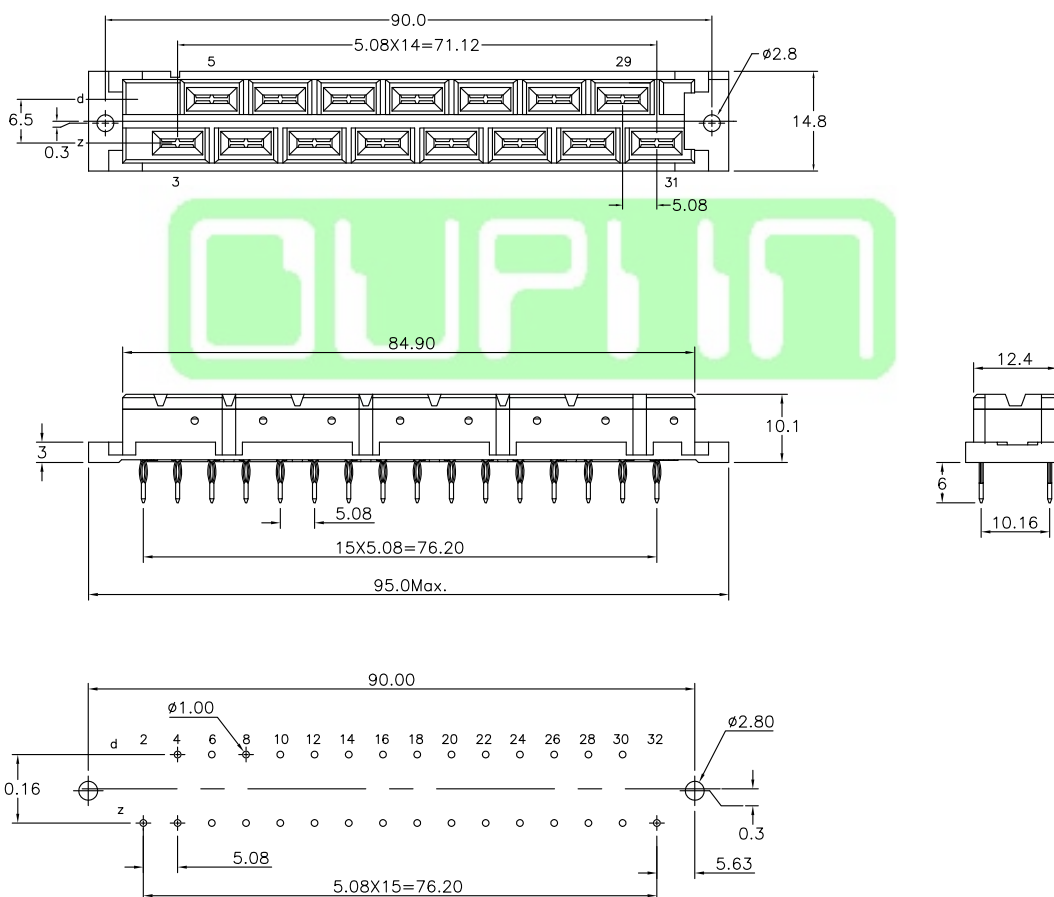
Housing: Thermoplastic Polyester Glass Filled UL94V-0.
 Contacts: Copper Alloy.

Electrical Characteristics:

Current Rating: 15 A @20°C.
 Dielectric Withstanding Voltage: AC 3100V.
 Insulator Resistance: 1000MΩ min.
 Contact Resistance: 8mΩ max.
 Operating Temperature: -55°C ~+125°C.

Features:

- * Power Connectors.
- * Mates with 9001-5115.



P.C. Board Layout

Ordering information

9001-	5	2	15	1	P	T	A
Series		2: Female	Position	1: Dip Length	P: Press Fit	T: Tin Plating	A: Tray Package