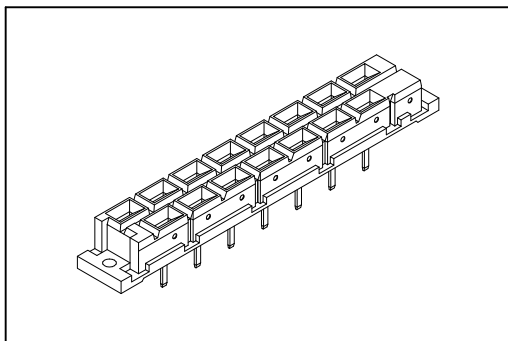


# 9001 Series

## DIN41612 H15 Type Female



### Material:

Housing: Thermoplastic Polyester Glass Filled UL94V-0.

Contacts: Copper Alloy.

### Electrical Characteristics:

Current Rating: 15 A @20°C.

Dielectric Withstanding Voltage: AC 3100V.

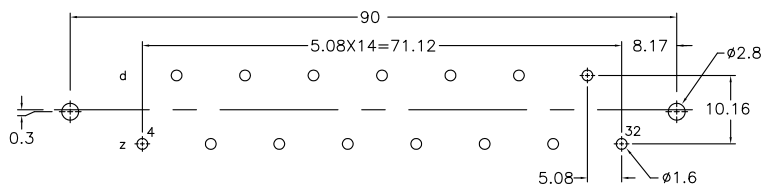
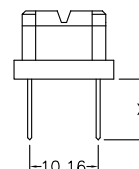
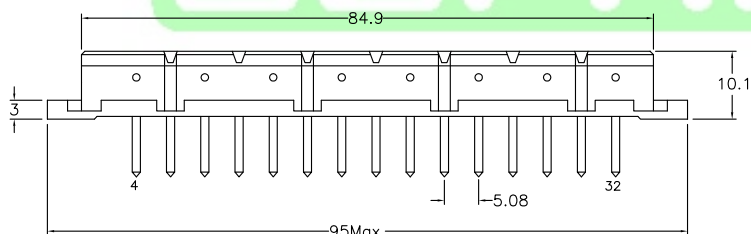
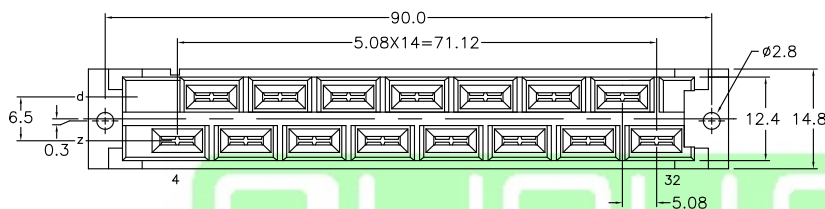
Insulator Resistance: 1000MΩ min.

Contact Resistance: 8mΩ max.

Operating Temperature: -55°C ~+125°C.

### Features:

- \* Power connectors.
- \* Mates with 9001-5115.



P.C. Board Layout

X Length	1	2
	4.0	10.0

## Ordering information

9001- 5 2 15 1 T A  
 Series 2: Female Position 1: Dip Length T: Tin Plating A: Tray Package  
 2: Dip Length