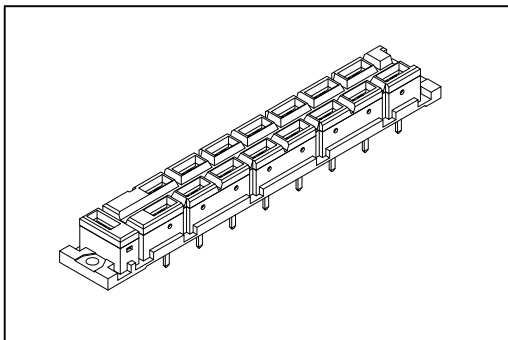


# 9001 Series

## DIN41612 H15+1 Type Female



**Material:**

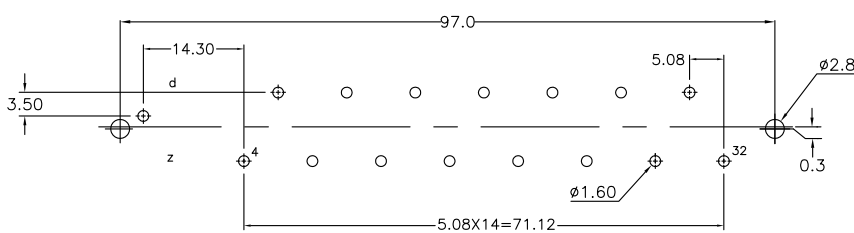
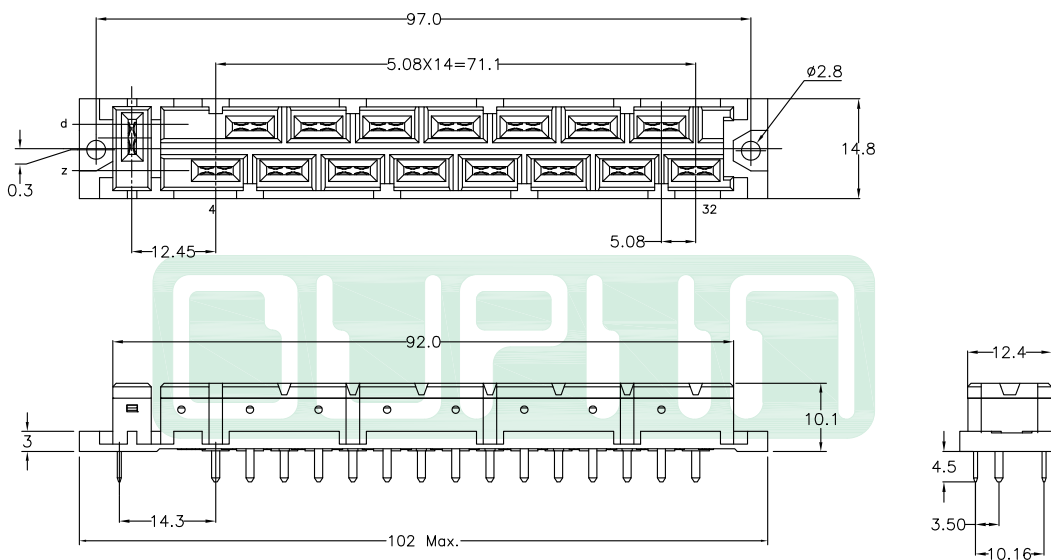
Housing: Thermoplastic Polyester Glass Filled UL94V-0.  
 Contacts: Copper Alloy.

**Electrical Characteristics:**

Current Rating: 15 A @20°C.  
 Dielectric Withstanding Voltage: AC 3100V.  
 Insulator Resistance: 1000MΩ min.  
 Contact Resistance: 8mΩ max.  
 Operating Temperature: -55°C ~+125°C.

**Features:**

\* Power Connectors.



P.C. Board Layout

### Ordering information

<u>9001-</u>	<u>5</u>	<u>2</u>	<u>16</u>	<u>3</u>	<u>T</u>	<u>A</u>
Series		2: Female	Position	3: Dip Length	T: Tin Plating	A: Tray Package

Information including designs, specifications and components may be changed or updated without notice.