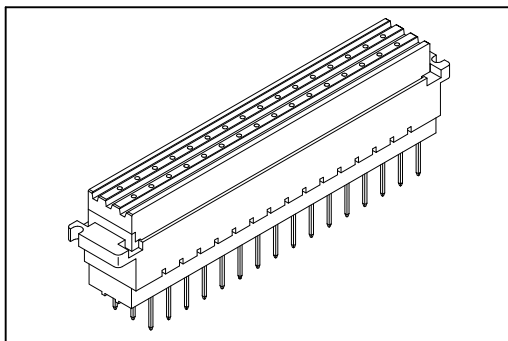


9001 Series

DIN41612 F Type Female



Material:

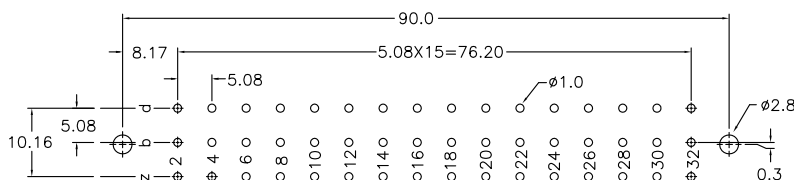
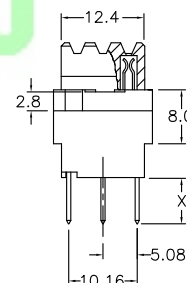
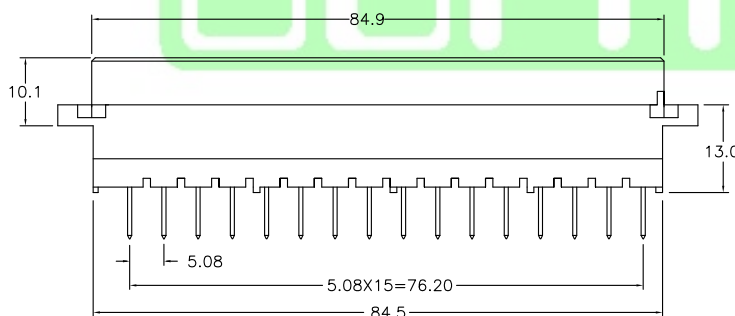
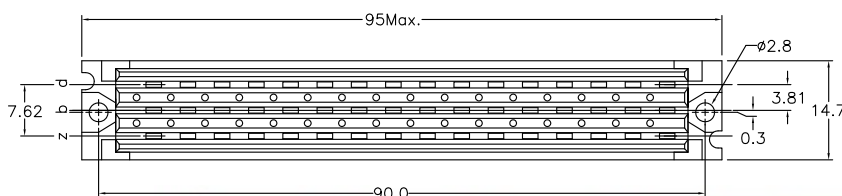
Housing: Thermoplastic Polyester Glass Filled UL94V-0
 Contacts: Copper Alloy.

Electrical Characteristics:

Current Rating: 5.6 A @20°C.
 Dielectric Withstanding Voltage: AC 1550V.
 Insulator Resistance: 1000MΩ min.
 Contact Resistance: 15mΩ max.
 Operating Temperature: -55°C ~+125°C.

Features:

* Mates with Male 3Row
 9001-61481C



P.C. Board Layout

Pitch	Position	Rows with Contacts	Contact Arrange	X Length	
				1	2
5.08mm	48	z b d	d b z 2 4 6 8	4.5	
	32	z - d	d b z 2 4 6 8		
	16	z - -	d b z 2 4 6 8		

Ordering information

9001- 6 2 48 1 C 00 A
 Series 2: Female Position 1: Dip Length C: Selective Gold Plated 00: G/F A: Tray Package