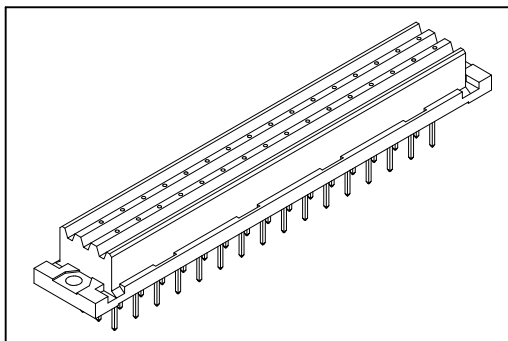


9001 Series

DIN41612 F Type Female Low Profile



Material:

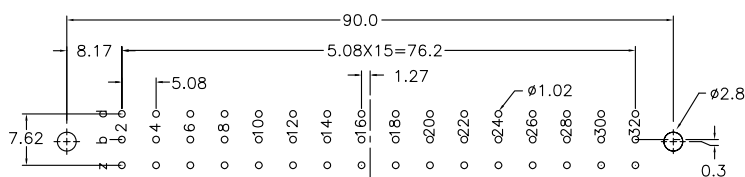
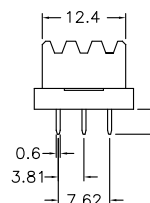
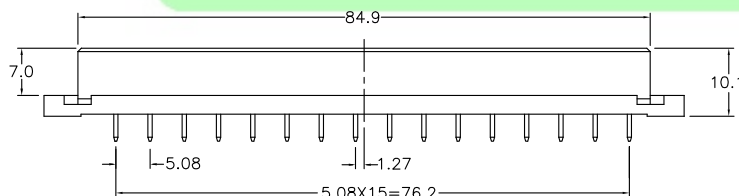
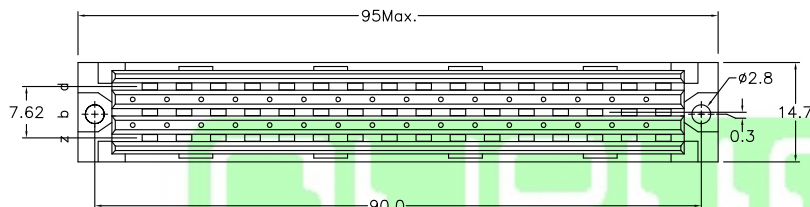
Housing: Thermoplastic Polyester Glass Filled UL94V-0.
 Contacts: Copper Alloy.

Electrical Characteristics:

Current Rating: 5.6 A @20°C.
 Dielectric Withstanding Voltage: AC 1550V.
 Insulator Resistance: 1000MΩ min.
 Contact Resistance: 15mΩ max.
 Operating Temperature: -55°C ~+125°C.

Features:

* Mates with Male 3Row
 9001-61481C



P.C. Board Layout

| Pitch | Position | Rows with Contacts | Contact Arrange | X Length | |
|--------|----------|--------------------|-----------------|----------|-----|
| | | | | 1 | 2 |
| 5.08mm | 48 | z b d | | 3.7 | 4.5 |
| | 32 | z - d | | | |
| | 16 | z - - | | | |

Ordering information

9001- 64 48 1 C 00 A
 Series 4: Female Position 1: Dip Length 2: Dip Length C: Selective Gold Plated 00: G/F A: Tray Package