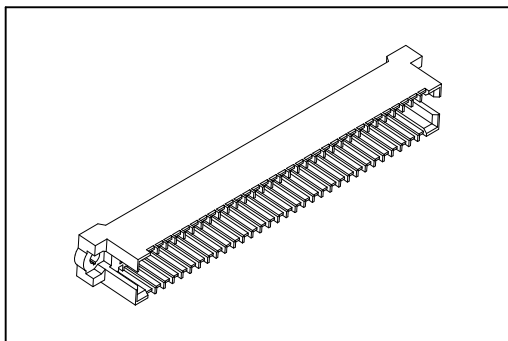


# 9001-A Series

## DIN41612 3 Rows 96P Shroud

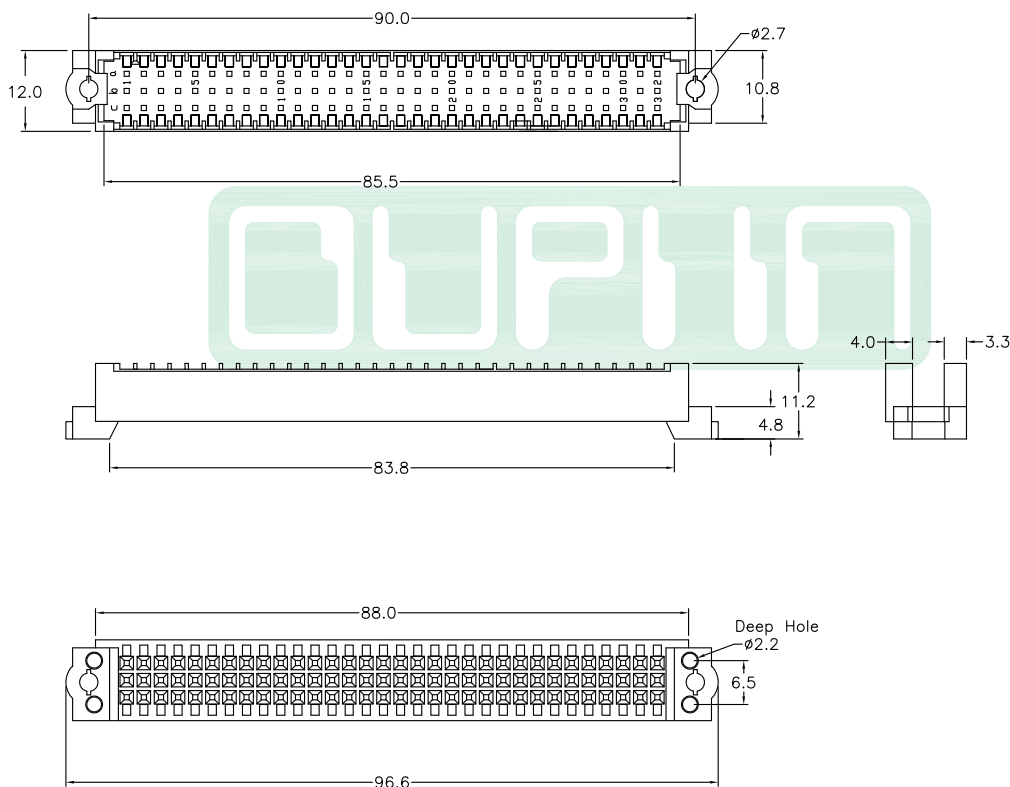


**Material:**

Housing: Thermoplastic Polyester Glass Filled UL94V-0.

**Electrical Characteristics:**

Operating Temperature: -55°C ~+125°C.



### Ordering information

<u>9001-A</u>	<u>1</u>	<u>3</u>	<u>Y2</u>	<u>B</u>
Series	2.54mm	3: Male	Y: Grey	B: Bulk Package