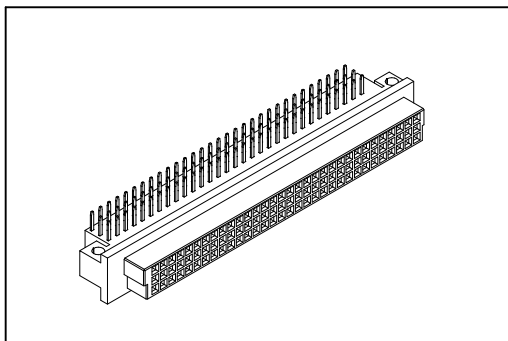


9001-A Series

DIN41612 R Type Female



Material:

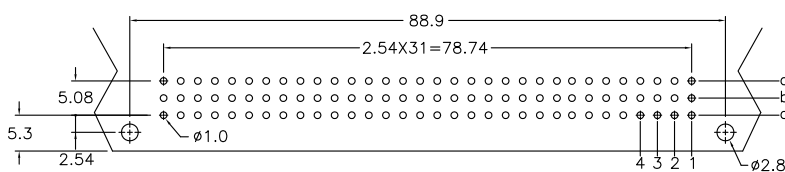
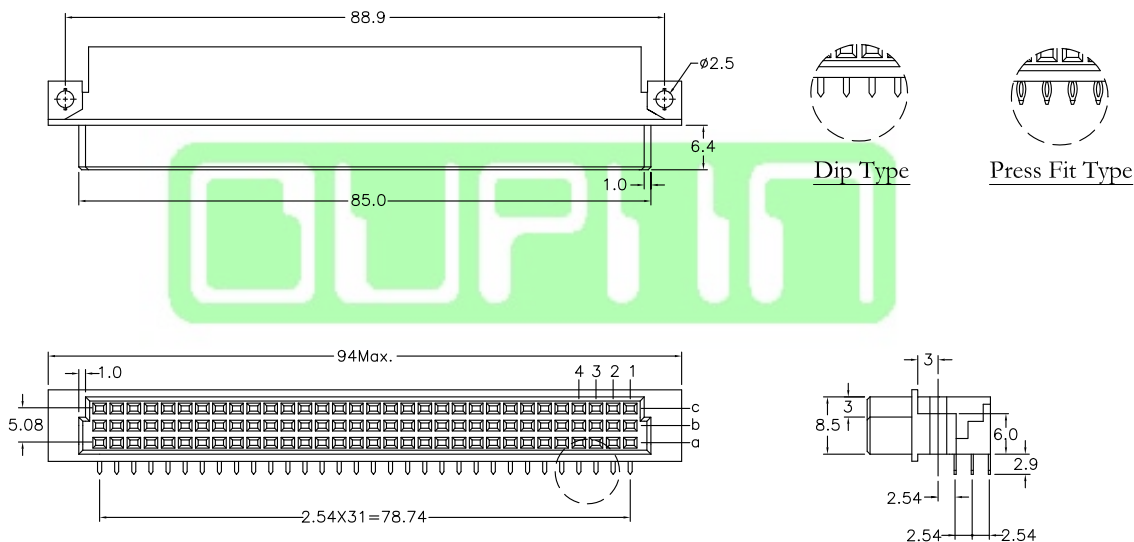
Housing: Thermoplastic Polyester Glass Filled UL94V-0.
 Contacts: Copper Alloy.

Electrical Characteristics:

Current Rating: 2 A.
 Dielectric Withstanding Voltage: AC 1000V.
 Insulator Resistance: 1000MΩ min.
 Contact Resistance: 20mΩ max.
 Operating Temperature: -55°C ~+125°C.

Features:

* Mates with Male 3Row
 9001-1196,1164 C Type.
 9001-1396,1364 R Type.



P.C. Board Layout

Pitch	Position	Rows with Contacts	Contact Arrange
2.54mm	96	a b c	
	64	a - c	
	32	a - -	
5.08mm	48	a b c	
	32	a - c	
	16	a - -	

Ordering information

9001-A **1** **4** **96** **1** **C** **00** **P** **L1** **A**
 Series 1: 2.54mm 4: Female Position 1: Dip Length C: Selective Gold Plated 00: G/F Blank: Dip Blank: W/O Lock Package
 2: 5.08mm P: Press Fit L1: With Lock See Page CA03

9001 Series

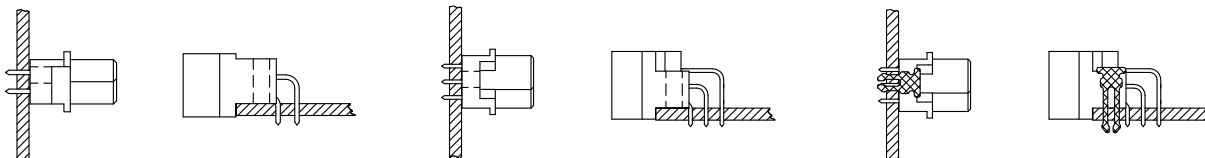
DIN41612 Mating Introduce



2 Row insulator
B (Standard mounting)
Mounting axis
of the connector

3 Row insulator
C (Standard mounting)
Mounting axis
of the connector

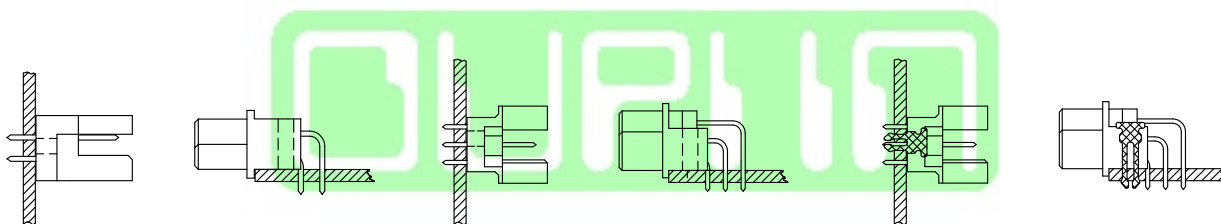
Board lock available
L1=P.C.B. Thickness 1.6 ~2.0 mm
L2=P.C.B. Thickness 2.8 ~3.2 mm



Q (Reverse mounting)
Mounting axis
of the connector

R (Reverse mounting)
Mounting axis
of the connector

Board lock available
L1=P.C.B. Thickness 1.6 ~2.0 mm
L2=P.C.B. Thickness 2.8 ~3.2 mm



I.D.C. Type Ribbon Cable

Press Fit Type
2 Row insulator

3 Row insulator

2 Row insulator

3 Row insulator

