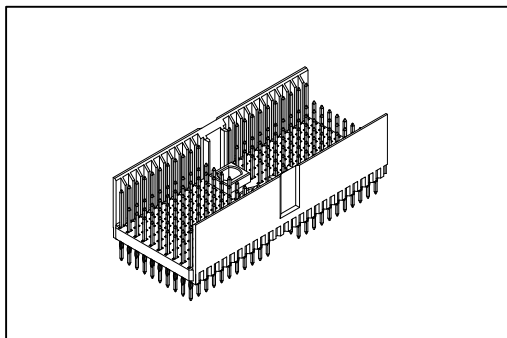


9111 Series

Hard Metric Connector Male Type D



Material:

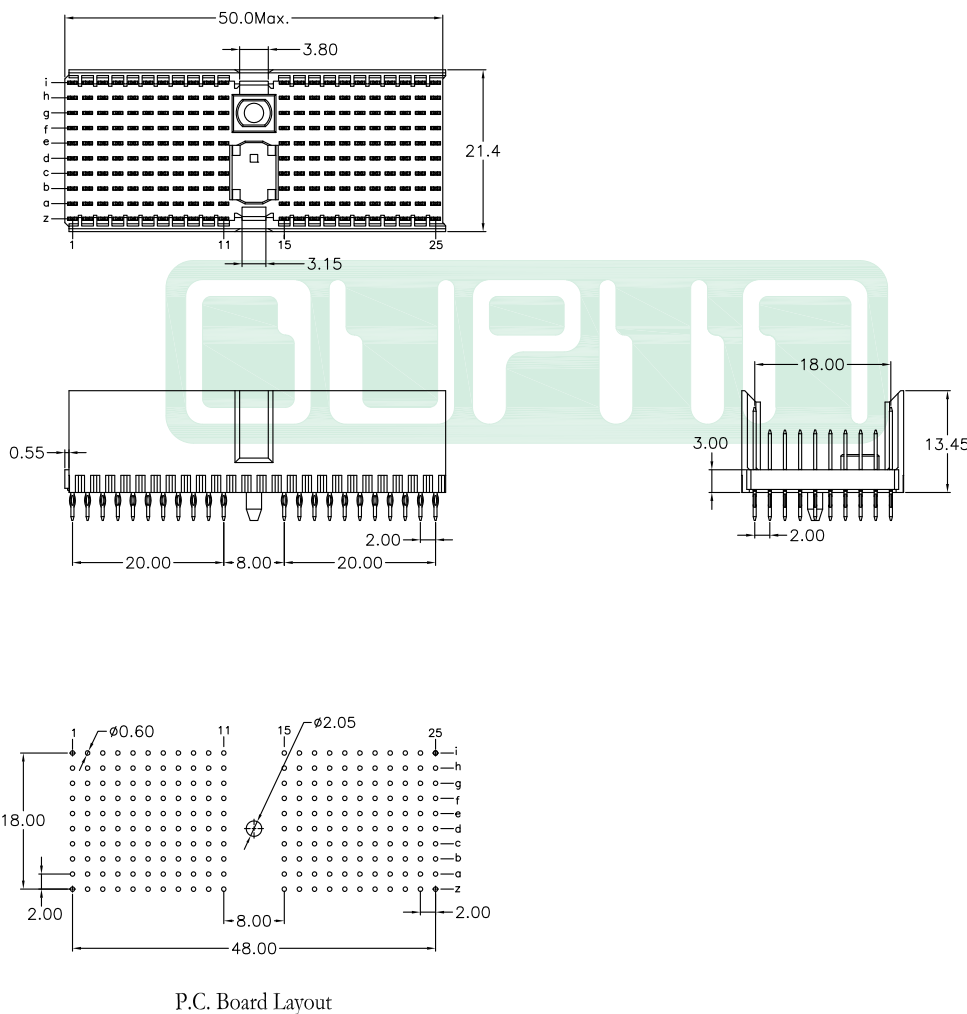
Housing: Thermoplastic Polyester Glass Filled UL94V-0.
 Contacts: Copper Alloy.

Electrical Characteristics:

Current Rating : 1 A.
 Dielectric Withstanding Voltage: AC 750V.
 Insulator Resistance: 10000MΩ min.
 Contact Resistance: 20mΩ max.
 Operating Temperature: -55°C ~+125 °C.

Features:

- * Type D Straight Male.
- 8 X 22 Signal and 44 Ground Shield Contact.



Ordering information

9111- 10 1 D 220 A C CB 30 U
 Series 10Row 1: Male D: Type D Housing Type Signal Pin(a~h Row) Shield Pin(i,z Row) CB: Contact Au+Pd/Ni, 30: 30 μ" U: Tube
 A: A Contact C: C Contact Dip Tin plated Package
 Blank: W/O Shield Pin

*Contact Size Please Refer To Page CE54, Other Special Pin Layout Please Consult To Factory.

Information including designs, specifications and components may be changed or updated without notice.

CE26