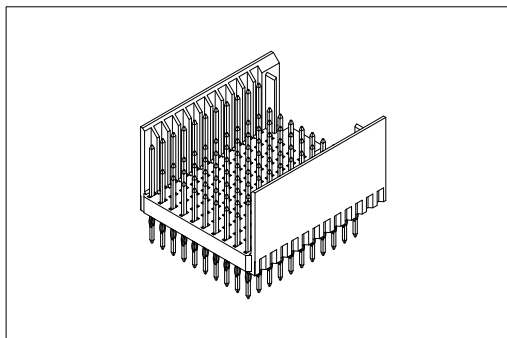


9111 Series

Hard Metric Connector Male Type F



Material:

Housing: Thermoplastic Polyester Glass Filled UL94V-0.

Contacts: Copper Alloy.

Electrical Characteristics:

Current Rating : 1 A.

Dielectric Withstanding Voltage: AC 750V.

Insulator Resistance: 10000MΩ min.

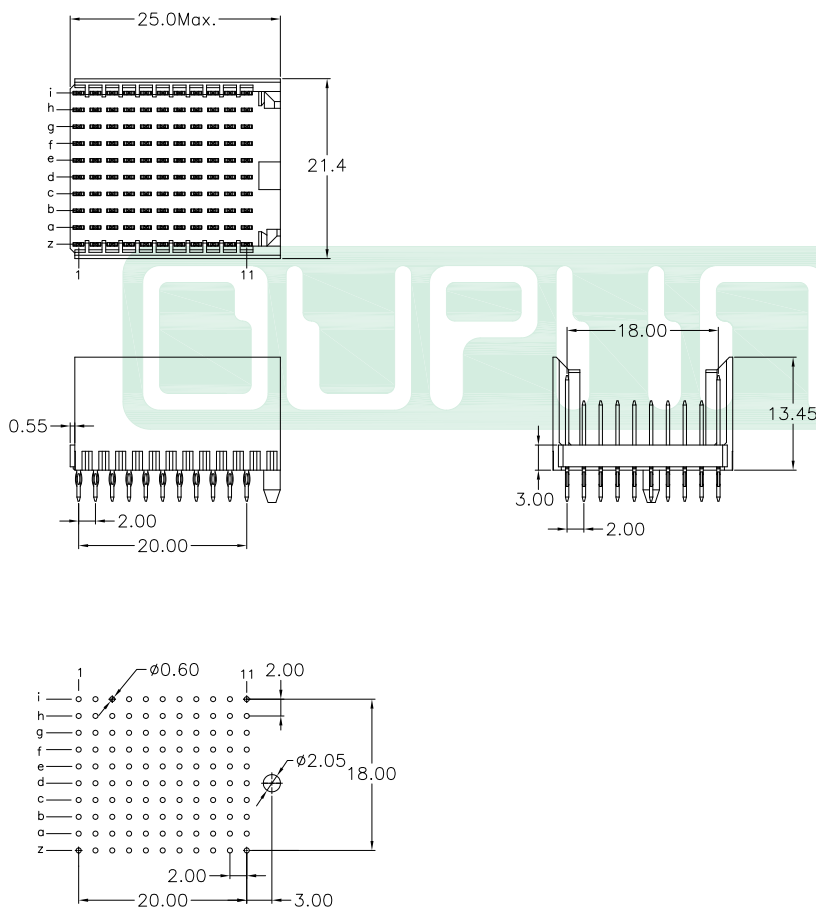
Contact Resistance: 20mΩ max.

Operating Temperature: -55°C ~+125 °C.

Features:

* Type F Straight Male.

8 X 11 Signal and 22 Ground Shield Contact.



P.C. Board Layout

Ordering information

<u>9111-</u>	<u>10</u>	<u>1</u>	<u>F</u>	<u>110</u>	<u>A</u>	<u>C</u>	<u>CB</u>	<u>30</u>	<u>U</u>
Series	10Row	1: Male	F: Type F	Housing Type	Signal Pin(a~h Row) A: A Contact	Shield Pin(i,z Row) C: C Contact Blank: Without Shield Pin	CB: Contact Au+Pd/Ni, Dip Tin plated	30: 30 μ "	U: Tube Package

*Contact Size Please Refer To Page CE54, Other Special Pin Layout Please Consult To Factory.

Information including designs, specifications and components may be changed or updated without notice.