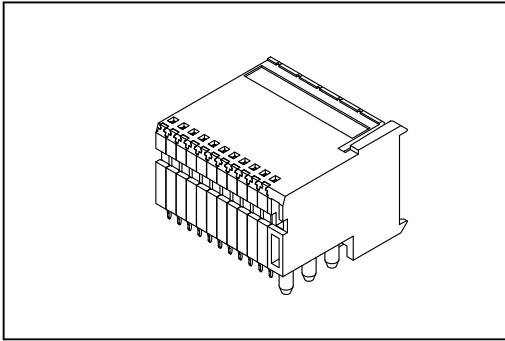


9111 Series

Hard Metric Connector Female Right Angle Type F



Material:

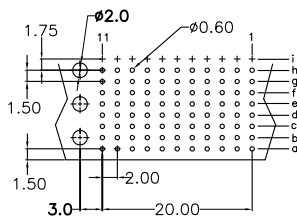
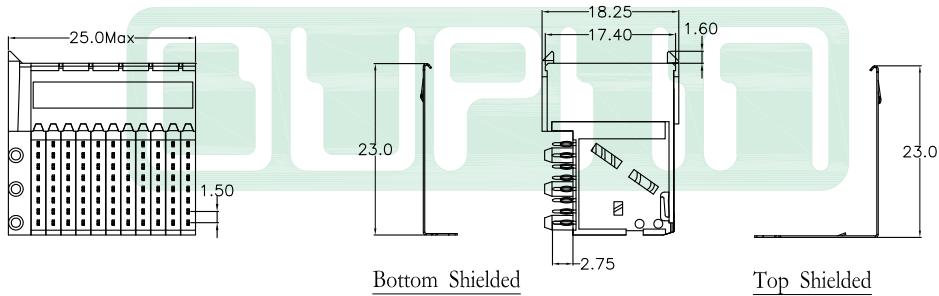
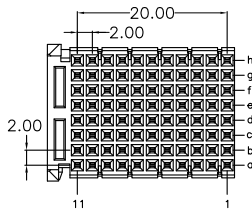
Housing: Thermoplastic Polyester Glass Filled UL94V-0.
Contacts: Copper Alloy.

Electrical Characteristics:

Current Rating : 1 A.
Dielectric Withstanding Voltage: AC 750V.
Insulator Resistance: 10000MΩ min.
Contact Resistance: 20mΩ max.
Operating Temperature: -55°C ~+125 °C.

Features:

* Type F Right Angle Female.
8 X 11 Position Fully Loaded.



P.C. Board Layout

Ordering information

<u>9111-</u>	<u>10</u>	<u>2</u>	<u>F</u>	<u>88</u>	<u>1</u>	<u>CB</u>	<u>30</u>	<u>A</u>
Series	10Row	2: Female	F: Type F	Position	1: None Shielded 2: Top Body Shielded 3: Top Body Shielded and Bottom Shielded (Package Separately)	CB:Contact Au+Pd/Ni, Dip Tin plated	30: 30μ"	A: Tray Package