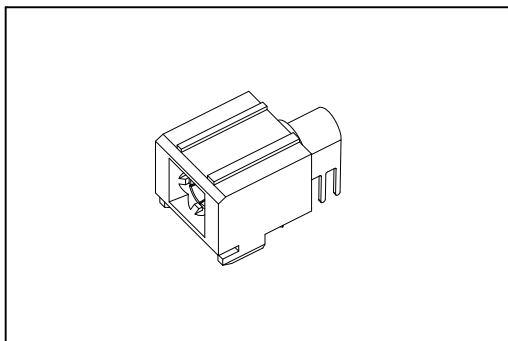


9111 Series

H.D. 2.0mm(0.079") Female Power Connector



Material:

Housing: High Temperature Plastic UL94V-0.

Contacts: Copper Alloy.

Electrical Characteristics:

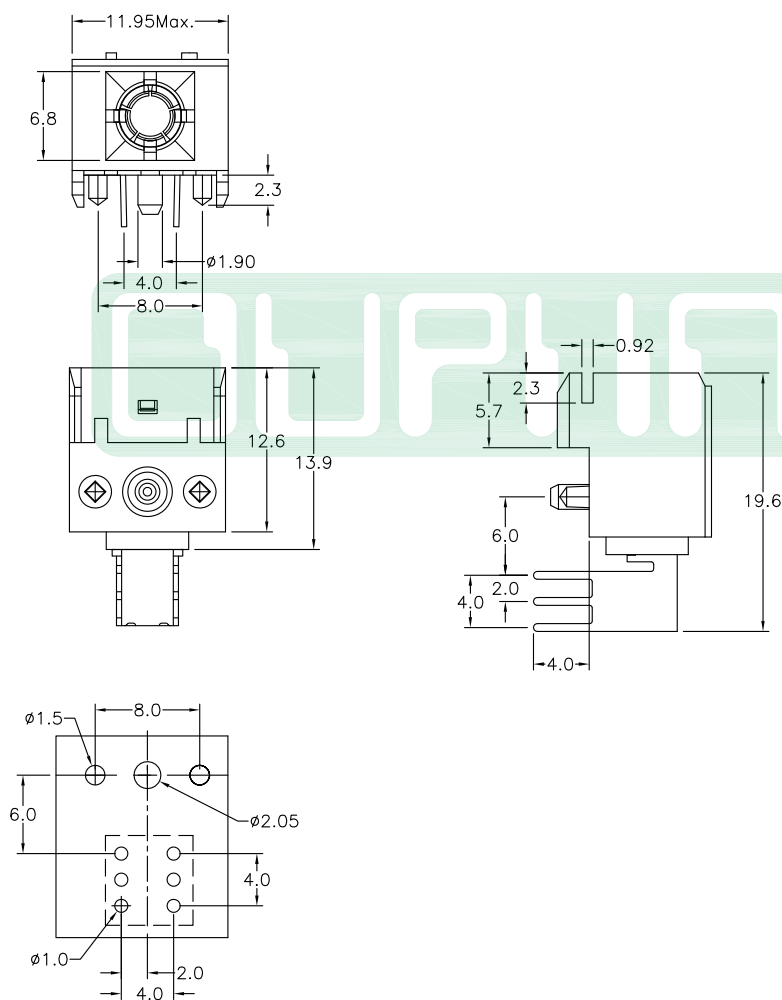
Current Rating: 30 A.

Dielectric Withstanding Voltage: AC 1000V.

Insulator Resistance: 5000MΩ min.

Contact Resistance: 10mΩ max.

Operating Temperature: -65°C~+125°C.



P.C. Board Layout

Ordering information

<u>9111-</u>	<u>14</u>	<u>4</u>	<u>B</u>	<u>001</u>	<u>G</u>	<u>30</u>	<u>U</u>
Series	14: 4Rows Housing With One Pin	4: Female	B: Power Contact	Pin Type	G: Gold Plated	30: 30 μ"	U: Tube Package

Information including designs, specifications and components may be changed or updated without notice.

CD14