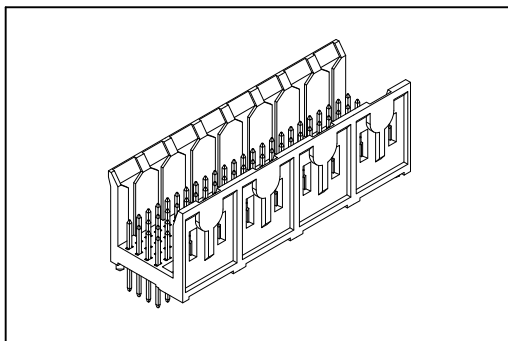


9111 Series

H.D. 2.0mm(0.079") Futurebus(+)4 Rows Male Straight Type



Material:

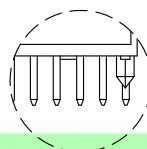
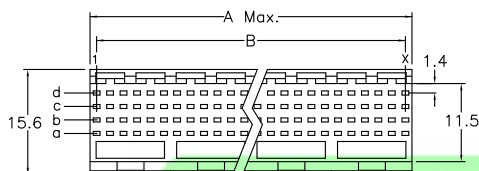
Housing: High Temperature Plastic UL94V-0.
Contacts: Copper Alloy.

Electrical Characteristics:

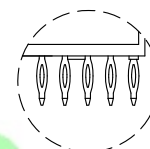
Current Rating: 1 A.
Dielectric Withstanding Voltage: AC 1000V.
Insulator Resistance: 1000MΩ min.
Contact Resistance: 30mΩ max.
Operating Temperature: -55°C ~+125°C.

Features:

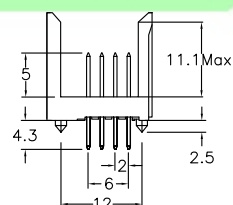
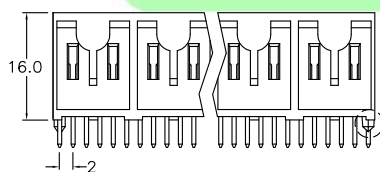
- * 2mm high density futurebus+ male solder and press fit type.
- * Available pin count from 24~192.
- * Side by side stackable.
- * Various solder tail length options.
- * Push-Fit peg.



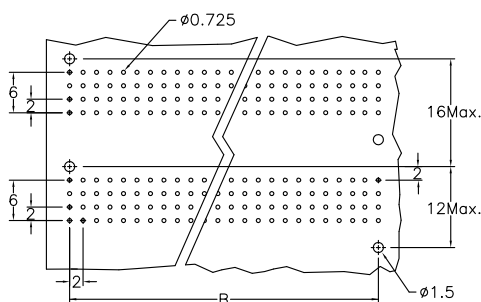
Dip Type



Press Fit Type



Option-A



P.C. Board Layout

| Position | Dimension | |
|----------|-----------|----|
| | A | B |
| 24 | 11.95 | 10 |
| 48 | 23.95 | 22 |
| 72 | 35.95 | 34 |
| 96 | 47.95 | 46 |
| 120 | 59.95 | 58 |
| 144 | 71.95 | 70 |
| 168 | 83.95 | 82 |
| 192 | 95.95 | 94 |

Ordering information

9111- 4 1 24 A C 10 D U
 Series 4: 4Rows 1: Male Position A: A ~ V C: Selective Gold Plated 10: 10 μ" D: Dip Type U: Tube
 Signal See Page CB01 P: Press Fit Type Package

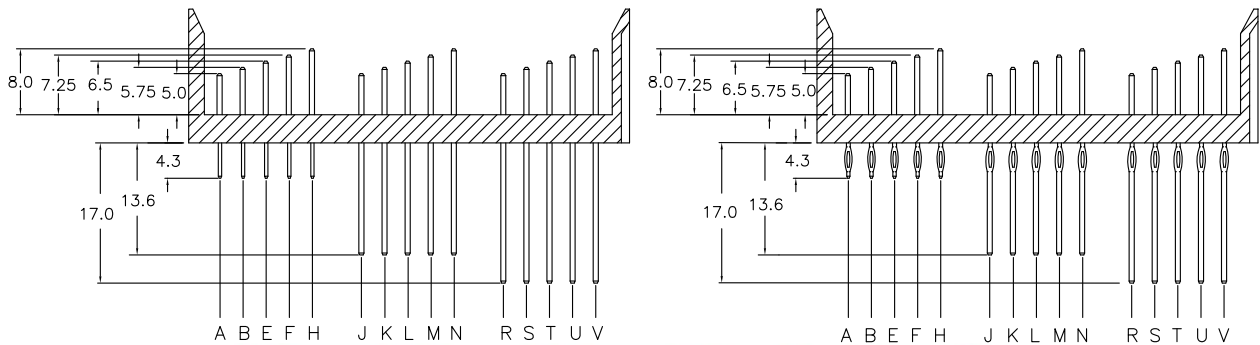
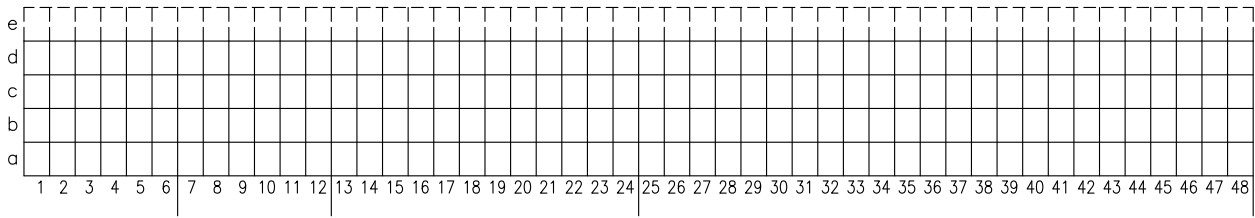
9111 Series

H.D. 2.0mm(0.079") Futurebus(+)Connector Special Custom Loading Form

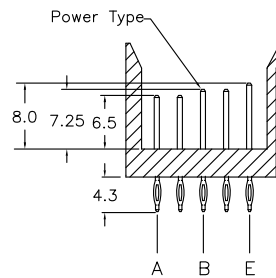
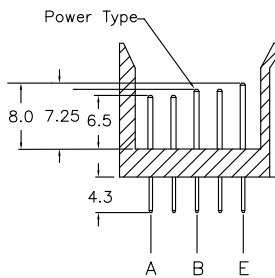
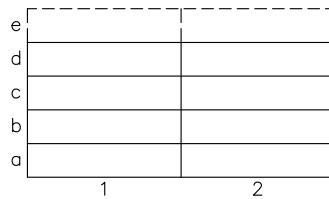


Signal Type

Male Custom Solder Tail Length Lay-out and Male Custom Premating Lay-out.



Power Type



* Other Custom lay-out please consult to factory.