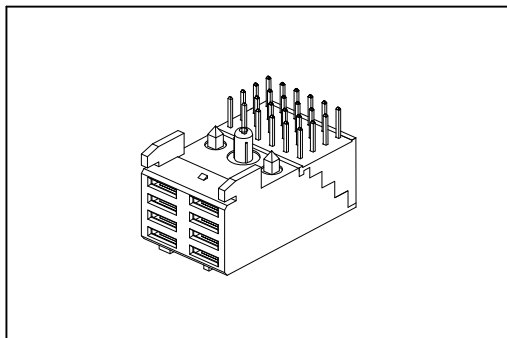


# 9111 Series

## H.D. 2.0mm(0.079") Futurebus(+)4 Rows Female Power Type



### Material:

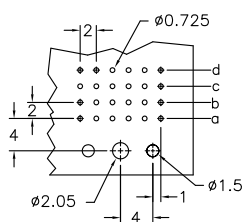
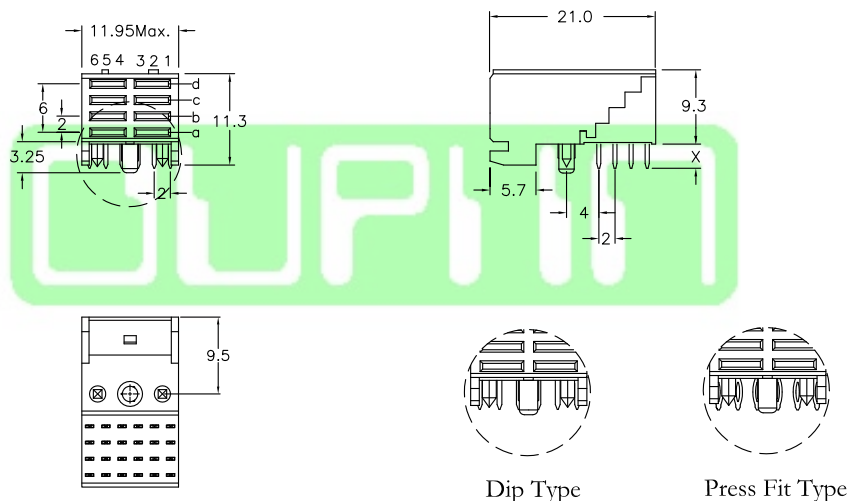
Housing: High Temperature Plastic UL94V-0.  
Contacts: Copper Alloy.

### Electrical Characteristics:

Current Rating: 3 A.  
Dielectric Withstanding Voltage: AC 1000V.  
Insulator Resistance: 1000MΩ min.  
Contact Resistance: 30mΩ max.  
Operating Temperature: -55°C ~+125°C.

### Features:

- \* 2mm high density futurebus+ female power right angle solder and press fit type.
- \* 8 pins.
- \* High current rating.
- \* Side by side stackable.
- \* Push-Fit peg.



P.C. Board Layout

X Length	1	2
	2.90	3.53

## Ordering information

**9111-** Series   
**4** 4: 4Rows   
**4** 4: Female Power   
**08** Position   
**1** 1: Dip Length  
 2: Dip Length   
**C** C: Selective Gold Plated   
**10** 10: 10 μ"   
**D** D: Dip Type  
 P: Press Fit Type   
**U** U: Tube Package