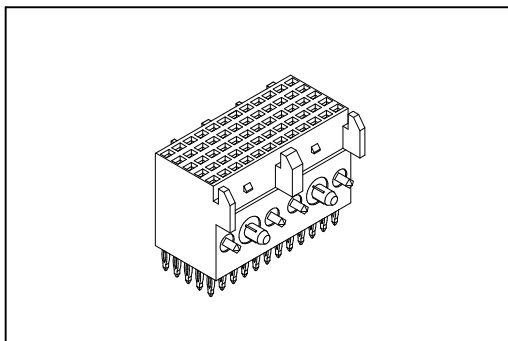


# 9111 Series

## H.D. 2.0mm(0.079") Futurebus(+) 5 Rows Female Straight Type



### Material:

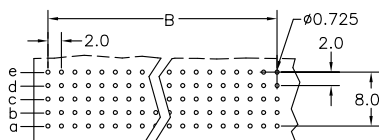
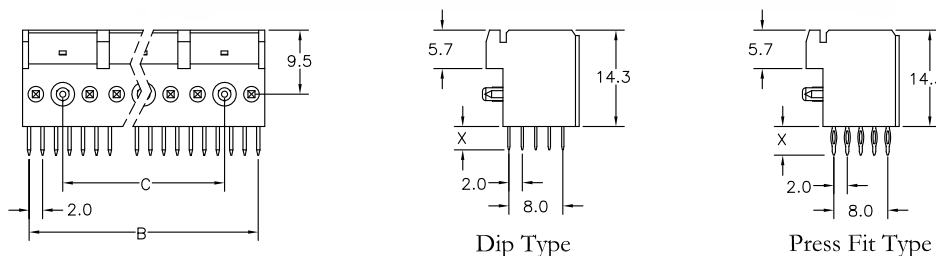
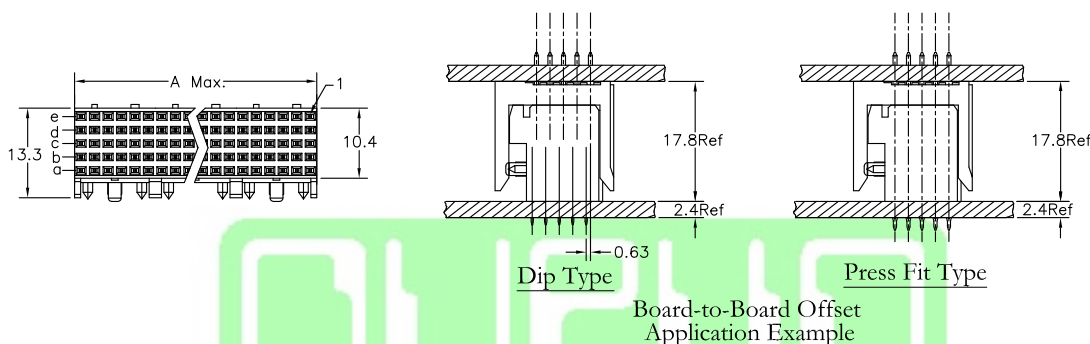
Housing: High Temperature Plastic UL94V-0.  
Contacts: Copper Alloy.

### Electrical Characteristics:

Current Rating: 1 A.  
Dielectric Withstanding Voltage: AC 1000V.  
Insulator Resistance: 1000MΩ min.  
Contact Resistance: 30mΩ max.  
Operating Temperature: -55°C~+125°C.

### Features:

- \* 2.0mm high density futurebus+ female straight solder and press fit type.
- \* Available pin count from 30 ~ 240.
- \* Side by side stackable.



P.C. Board Layout

X Length	1	2	
	3.45	4.25	
Position	Dimension		
	A	B	C
30	11.95	10.0	
60	23.95	22.0	12.0
90	35.95	34.0	24.0
120	47.95	46.0	36.0
150	59.95	58.0	48.0
180	71.95	70.0	60.0
210	83.95	82.0	72.0
240	95.95	94.0	84.0

## Ordering information

**9111-** Series   
 **5** 5: 5Row   
 **6** 6: Female   
 **30** Position   
 **1** 1: Dip Length   
 **C** C: Selective Gold Plated   
 **10** 10: 10 μ"   
 **P** P: Press Fit Type   
 **U** U: Tube Package  
 D: Dip Type