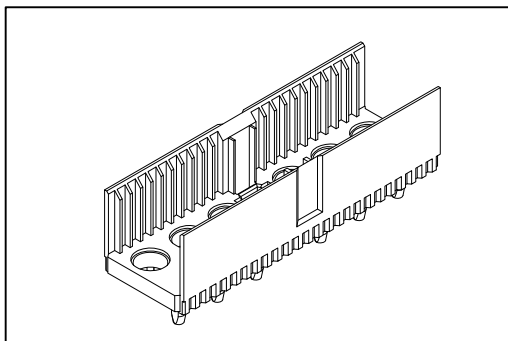


# 9111 Series

## Hard Metric Connector Male Type L



**Material:**

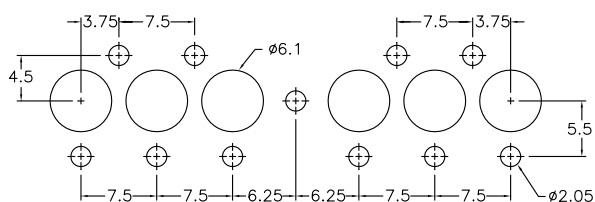
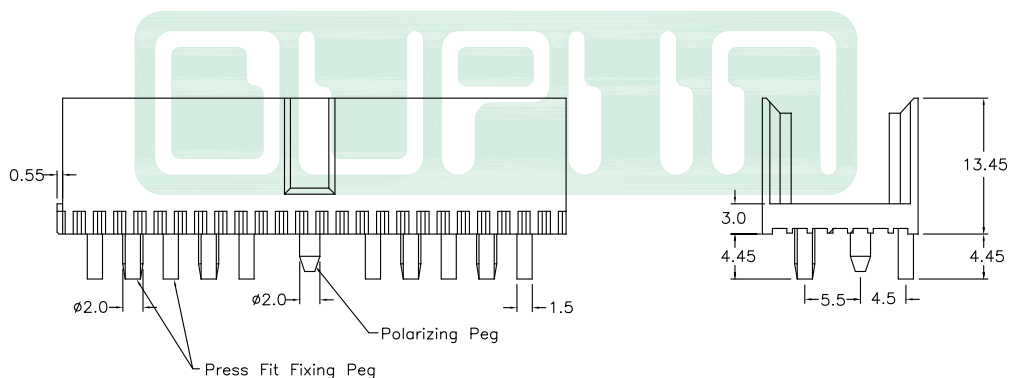
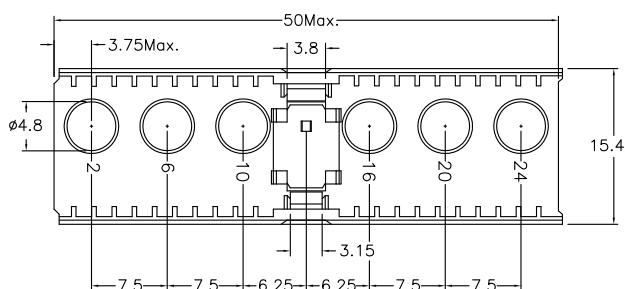
Housing: Thermoplastic Polyester Glass Filled UL94V-0.

**Electrical Characteristics:**

Operating Temperature: -55 °C ~+125°C .

**Features:**

- \* Type L : With 6 power/coaxial contact cavities.
- \* Housing only.



P.C. Board Layout

### Ordering information

9111- 7 1 L B  
 Series 7Row 1: Male L: Type L, 6 Cavities B: Bulk Package